

# PART2

TOWER LIGHT



TOWER LIGHT

# TOWER LIGHT

# TOWER LIGHT



## CLASSIFICATION

KTL 40 L CFB - RYG - 3C D  
 ① ② ③ ④ ⑤ ⑥

① DIAMETER	40	Ø40
① DIAMETER	60	Ø60
② LAMP	L	LED
③ FUNCTIONS	NONE	Continuous only
③ FUNCTIONS	CF	Continuous & Flashing
③ FUNCTIONS	B	Buzzer
③ FUNCTIONS	CFB	Continuous, Flashing & Buzzer
④ LAMP COLOR		Red, Yellow, Green, Blue, Clear
⑤ INPUT VOLTAGE		AC/DC 24V
⑥ MOUNTING	D	Direct mount
⑥ MOUNTING	H	Upper bracket
⑥ MOUNTING	V	Wall mount bracket
⑥ MOUNTING	P	Pole mount

### Technical Information

		KTL40L	KTL60L
INPUT VOLTAGE		AC/DC 24V	
CURRENT	LED (1 UNIT)	R, Y: 25mA G, B, W: 23mA	R, Y: 50mA G, B, W: 25mA
	Buzzer	40mA	
	Power Supply	360mA	
Flashing Frequency		90/m	
Sound Pressure (1m)		75dB/m	

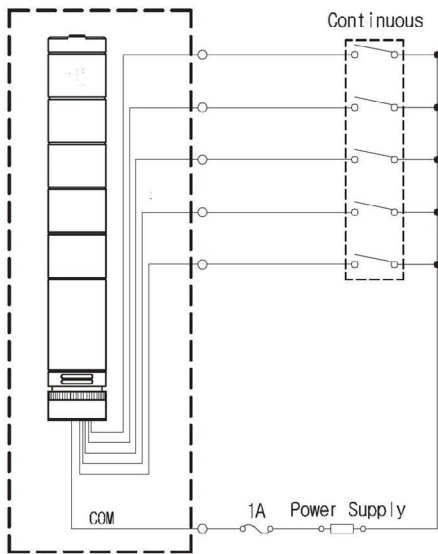
# TOWER LIGHT

## Wiring

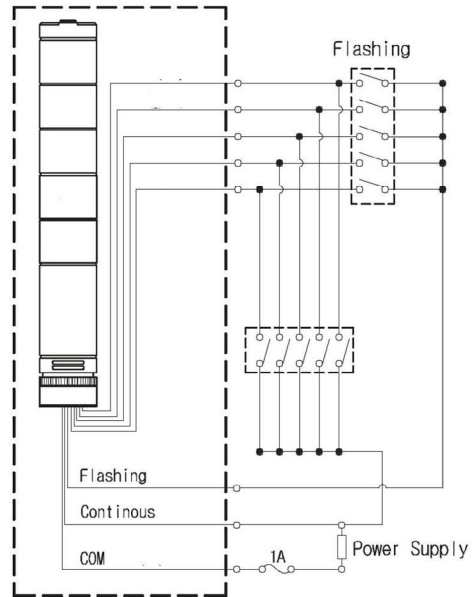
Red Stack	Red Line	Clear Stack	White Line
Yellow Stack	Yellow Line	POWER	Brown Line
Green Stack	Green Line	COM	Black Line
Blue Stack	Blue Line	Flashing	Grey Line
Buzzer( Continuous)	Orange Line	Buzzer (Short Flicker)	Purple Line
Buzzer (Long Flicker)	Cyan Line		

## Circuit Diagram

Continuous Type



Continuous Flashing Type



SQUARE LIGHT

TOWER LIGHT

BUZZER

TIMER & COUNTER

RELAY

SOCKETS

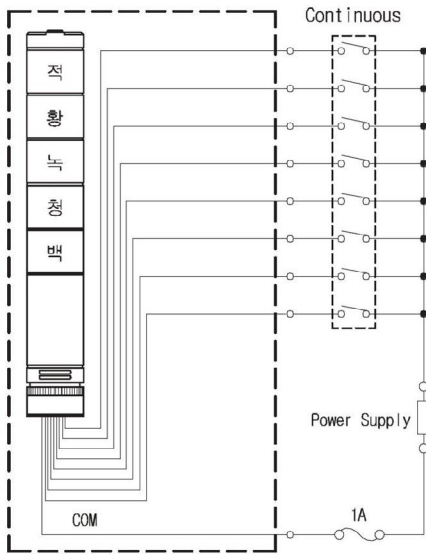
TERMINAL BLOCKS

CONTROL BOX

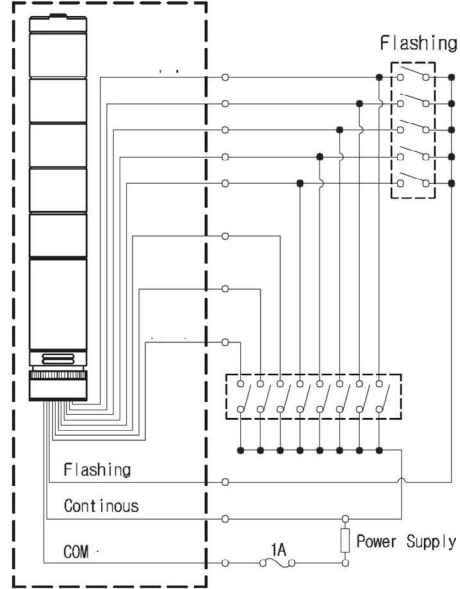
# TOWER LIGHT

## Circuit Diagram

Continuous Buzzer Type

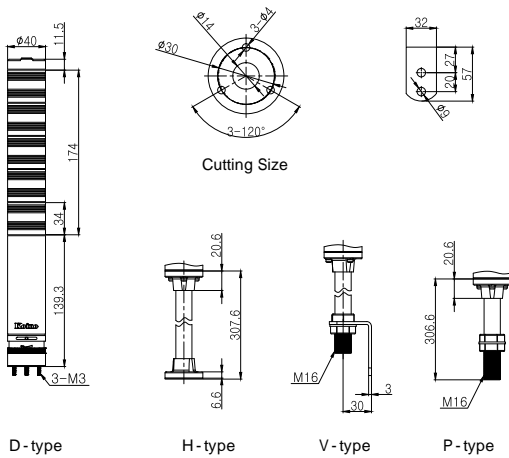


Continuous Flashing Buzzer Type



## Dimension

KTL40L



KTL60L

