

※ Button: English type available

- 켜짐 - ON
- 꺼짐 - OFF
- 상 - UP
- 하 - DOWN
- 동 - E(ast)
- 서 - W(est)
- 남 - S(outh)
- 북 - N(orth)

HOIST SWITCHES

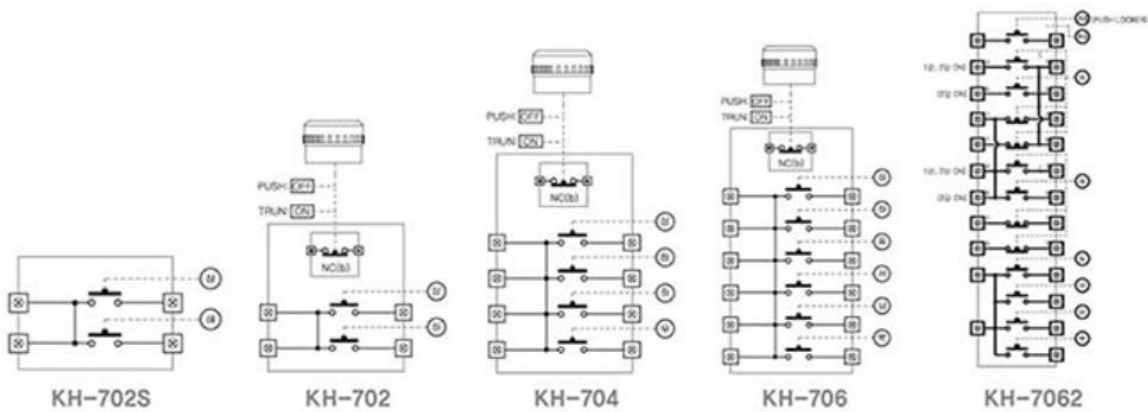


KH-702S KH-702 KH-704 KH-706 KH-7062

Technical Information

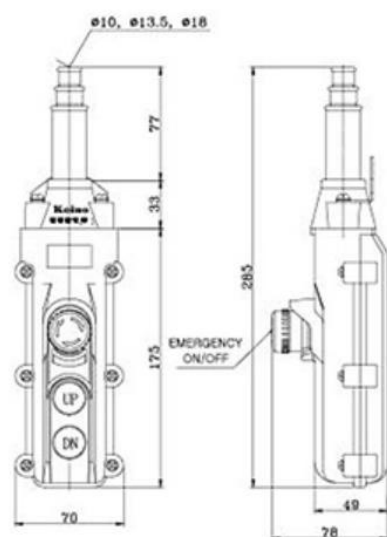
Model	Contact Rating	Emergency Contact rating	Material	Material
KH-702S	250VAC, 7A	125 /250VAC, 3A (No emergency button)	Body: Triloy Button: ABS Button cap: PC	IP65
KH-702		125 /250VAC, 3A		
KH-704	380VAC, 5A	125 /250VAC, 3A		
KH-706		125 /250VAC, 3A		
KH-7062	250VAC, 7A	Built-in ON / OFF Button	Body: Triloy Button: ABS	
	380VAC, 5A	Built-in ON / OFF Button		

Circuit Diagram



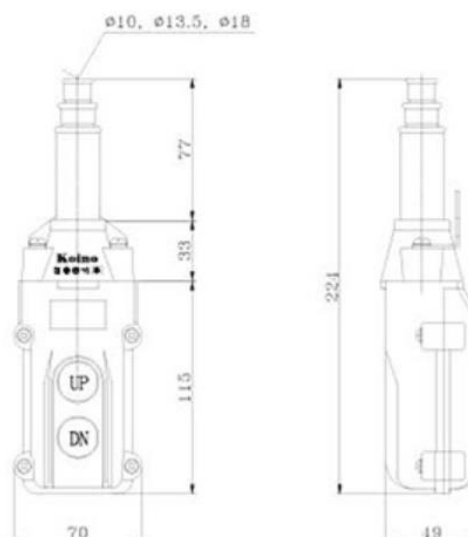
Dimension

KH-702



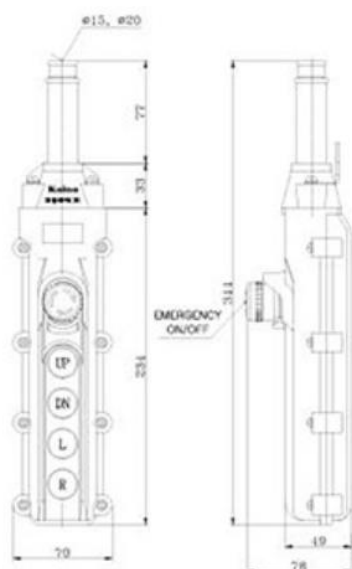
* Terminal Screw : M4 6

KH-702S



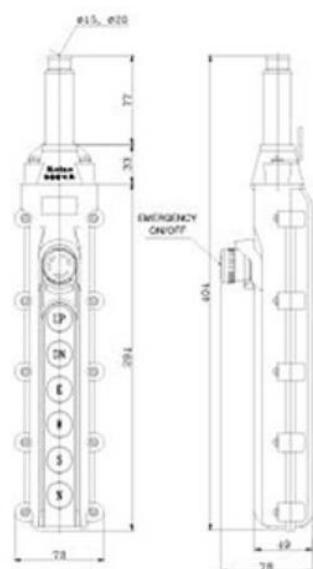
* Terminal Screw : M4 × 6

KH-704



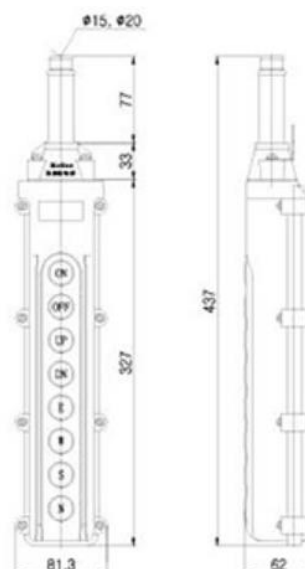
* Terminal Screw : M4 6

KH-706



* Terminal Screw : M4 × 6

KH-7062



* Terminal Screw : M4 × 6