



## ILLUMINATED PUSH BUTTON SWITCH

**KBL25 Series****CLASSIFICATION****KBL-25WM - L 1C R 1 1**

① ② ③ ④ ⑤ ⑥ ⑦

① PROTECTION	NONE	IP40
	W	IP65
② ACTUATOR	M	PUSH BUTTON, MOMENTARY
	MP	PUSH BUTTON WITH PROTECTIVE RING, MOMENTARY
	AT	PUSH BUTTON, MAINTAINED
	AP	PUSH BUTTON WITH PROTECTIVE RING, MAINTAINED
	EM	MUSHROOM HEADED PUSH BUTTON, MOMENTARY
	EA	MUSHROOM HEADED PUSH BUTTON, MAINTAINED
	ER	MUSHROOM HEADED PUSH BUTTON, TURN TO RESET
	EP	MUSHROOM HEADED PUSH BUTTON, PULL TO RESET
	③ LAMP TYPE	NONE
L		LED LAMP
④ INPUT VOLTAGE	1A	110VAC AT 50/60 Hz
	2A	220VAC AT 50/60 Hz
	3A	230VAC AT 50/60 Hz
	1C	6V AC/DC
	2C	12V AC/DC
	3C	24 AC/DC
⑤ LAMP COLOR	R	RED
	G	GREEN
	Y	YELLOW
	B	BLUE
	W	WHITE
	O	ORANGE
⑥ CONTACTS	NUMBER	NUMBER OF NO CONTACT
	NUMBER	NUMBER OF NC CONTACT



KBL25M - 1A  
KBL25M - 2A  
KBL25M - 3A

KBL25AT - 1A  
KBL25AT - 2A  
KBL25AT - 3A



KBL25MP - 1A  
KBL25MP - 2A  
KBL25MP - 3A

KBL25AP - 1A  
KBL25AP - 2A  
KBL25AP - 3A



KBL25M - 1C  
KBL25M - 2C  
KBL25M - 3C

KBL25A - 1C  
KBL25A - 2C  
KBL25A - 3C



KBL25MP - 1C  
KBL25MP - 2C  
KBL25MP - 3C

KBL25AP - 1C  
KBL25AP - 2C  
KBL25AP - 3C

CONTROL COMPONENTS

SQUARE LIGHT

TOWER LIGHT

MICRO SWITCH

FOOT SWITCH

LIMIT SWITCH

POWER SWITCH

HOIST SWITCH

CAM SWITCH

BUZZER

PHOTO SENSOR

PROXIMITY SENSOR

FLOATLESS LEVEL SWITCH

TIMER & COUNTER

RELAY

SOCKETS

TERMINAL BLOCK

CONTROL BOX

PID TEMP. CONTROLLER



KBL25EM-1A  
KBL25EM-2A  
KBL25EM-3A



KBL25EA-1A  
KBL25EA-2A  
KBL25EA-3A



KBL25EP-1A  
KBL25EP-2A  
KBL25EP-3A



KBL25ER-1A  
KBL25ER-2A  
KBL25ER-3A



**KBL25EM-1C**  
**KBL25EM-2C**  
**KBL25EM-3C**



**KBL25EA-1C**  
**KBL25EA-2C**  
**KBL25EA-3C**



**KBL25EP-1C**  
**KBL25EP-2C**  
**KBL25EP-3C**



**KBL25ER-1C**  
**KBL25ER-2C**  
**KBL25ER-3C**

**CONTROL COMPONENTS**

SQUARE LIGHT

TOWER LIGHT

MICRO SWITCH

FOOT SWITCH

LIMIT SWITCH

POWER SWITCH

HOIST SWITCH

CAM SWITCH

BUZZER

PHOTO SENSOR

PROXIMITY SENSOR

FLOATLESS LEVEL SWITCH

TIMER & COUNTER

RELAY

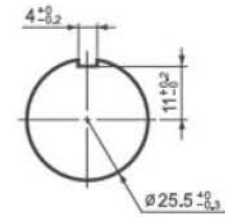
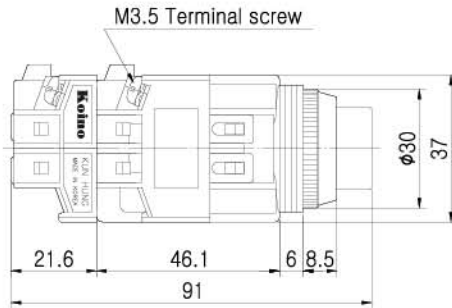
SOCKETS

TERMINAL BLOCK

CONTROL BOX

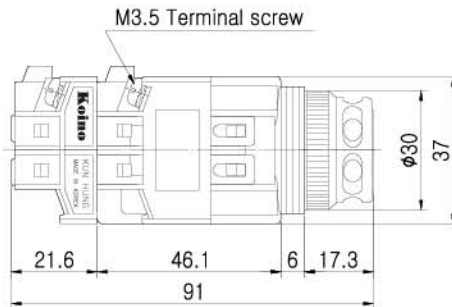
PID TEMP. CONTROLLER

KBL25M  
KBL25WM  
(With trans.)

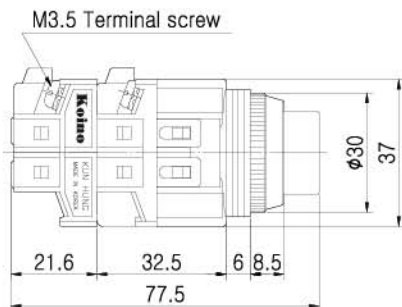


PANEL CUT-OUT

KBL25MP  
KBL25WMP  
(With trans.)

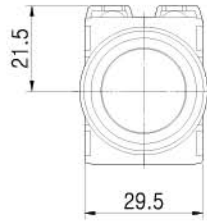
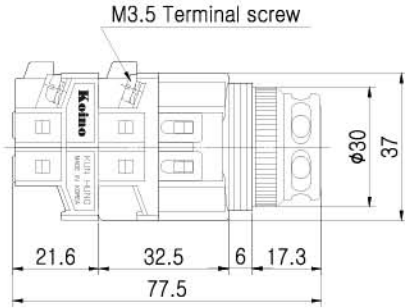


KBL25AT  
KBL25WAT  
(Without trans.)



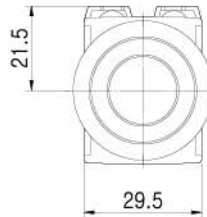
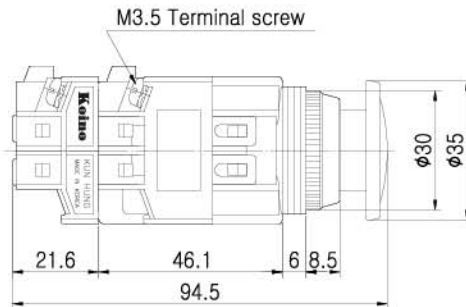


KBL25AP  
KBL25WAP  
(With trans.)

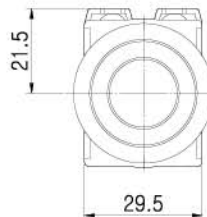
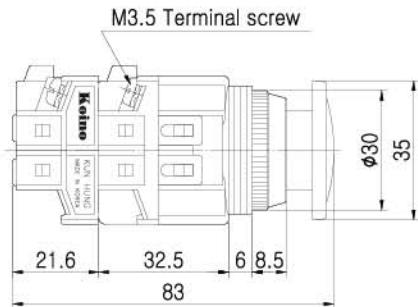


PANEL CUT-OUT

KBL25WEM KBL25EM  
KBL25WEA KBL25EA  
KBL25WEP KBL25EP  
(With trans.)



KBL25WEM KBL25EM  
KBL25WEA KBL25EA  
KBL25WEP KBL25EP  
(Without trans.)



CONTROL COMPONENTS

SQUARE LIGHT

TOWER LIGHT

MICRO SWITCH

FOOT SWITCH

LIMIT SWITCH

POWER SWITCH

HOIST SWITCH

CAM SWITCH

BUZZER

PHOTO SENSOR

PROXIMITY SENSOR

FLOATLESS LEVEL SWITCH

TIMER & COUNTER

RELAY

SOCKETS

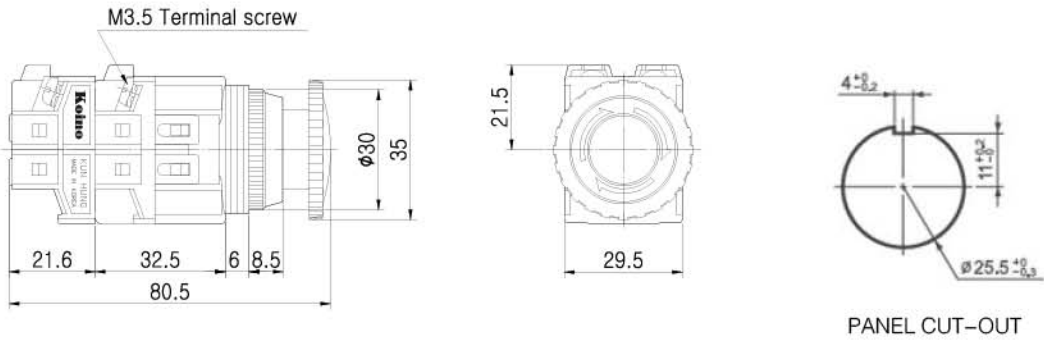
TERMINAL BLOCK

CONTROL BOX

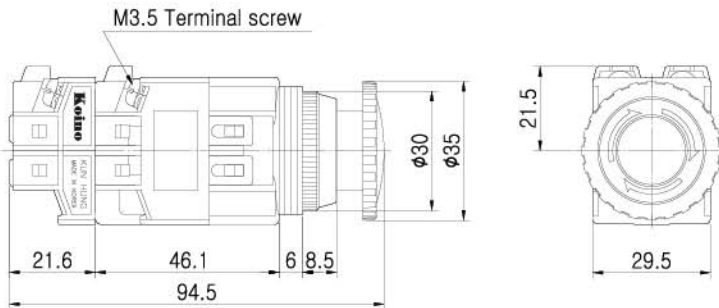
PID TEMP. CONTROLLER



KBL25ER  
KBL25WER  
(Without trans.)



KBL25ER  
KBL25WER  
(With trans.)





## CONTROL COMPONENTS

SQUARE LIGHT

TOWER LIGHT

MICRO SWITCH

FOOT SWITCH

LIMIT SWITCH

POWER SWITCH

HOIST SWITCH

CAM SWITCH

BUZZER

PHOTO SENSOR

PROXIMITY SENSOR

FLOATLESS LEVEL SWITCH

TIMER &amp; COUNTER

RELAY

SOCKETS

TERMINAL BLOCK

CONTROL BOX

PID TEMP. CONTROLLER

## Technical Information

### Switching System

The switching element of KSL25 is equipped with normally open contact and normally closed contact.

1A, 1B, 2A, 2B 1A1B, 2A2B 3A1B and 1A3B contacts are available. Normally 4 contact blocks can be assembled

### Material

#### Contact

Silver alloy + Copper

#### Housing

BODY: Nylon glass

CONTACT HOUSING: Nylon glass

#### Buttons

Acetal

#### Ring

ABS (Aluminum ring for KBL30M and KBL30AT is available)

### Mechanical Characteristics

#### Mechanical Lifetime

1,000,000 Cycles of operation

#### Install

Tightening torque : Max. 0.8N•m

### Electrical Characteristics

#### Standards

This product comply with “ Standards for low-voltage switching devices” EN IEC 60947-5-1

#### Contact Ratings

250VAC 6A (resistive load)

#### Insulation Resistance

Minimum 100M $\Omega$  (500VDC)

#### Contact Resistance

Maximum 30m $\Omega$

#### Electrical Lifetime

100,000 cycles of operation





**Electrical Characteristics—continues**

**Dielectric Strength**

Between Live Parts: 1,500VAC(50/60Hz) for 1 minute

Between Live and Dead Parts: 1,500VAC(50/60Hz) for 1 minute

**Environmental conditions**

**Operational Temperature**

-25° C~+50° C

**Operational Humidity**

45~85%RH

**Protection Degree**

IP40 / IP65( "W" type)

**Shock Resistance**

Approximately 50G(500m/s<sup>2</sup>)

**Vibration Resistance**

10~55Hz double amplitude 1.5mm (at X, Y and Z axis)

**Approvals**

**Approbations**

UL, CCC, KC

**Declaration of Conformity**

CE