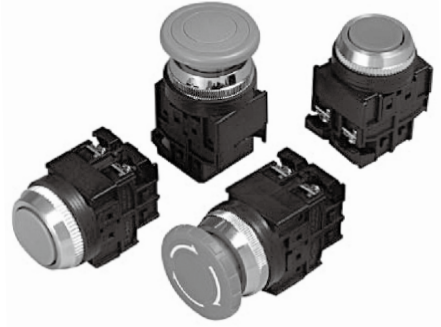


PUSH BUTTON SWITCH **KPB25/30 Series**



CLASSIFICATION

KPB25 W M - R 1 1
 ① ② ③ ④ ⑤ ⑥

① PANEL CUT	25	φ 25
	30	φ 30
② PROTECTION	无	IP40
	W	IP65
③ ACTUATOR	M	PUSH BUTTON, MOMENTARY
	MS	SELECTABLE PUSH BUTTON
	ML	SELECTABLE PUSH BUTTON
	AT	PUSH BUTTON, MAINTAINED
	EM	MUSHROOM HEADED PUSH BUTTON, MOMENTARY
	EA	MUSHROOM HEADED PUSH BUTTON, MAINTAINED
	ER	PUSH BUTTON, TURN TO RESET
	EP	PUSH BUTTON, PULL TO RESET
④ COLOR		RED
		GREEN
		YELLOW
		BLUE
		WHITE
		BLACK
⑤ CONTACTS	NUMBER	NUMBER OF NO CONTACT
⑥ CONTACTS	NUMBER	NUMBER OF NC CONTACT

CONTROL COMPONENTS

MICRO SWITCH

FOOT SWITCH

LIMIT SWITCH

POWER SWITCH

HOIST SWITCH

CAM SWITCH

Dimensions

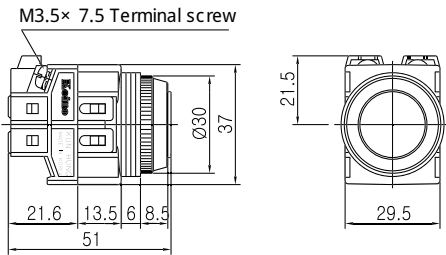
KPB25(W)M
KPB30(W)M

KPB25(W)AT
KPB30(W)AT

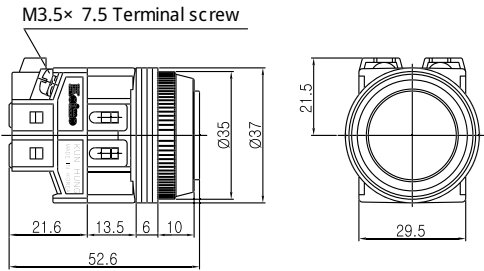
KPB25(W)EM KPB30(W)EM
KPB25(W)EA KPB30(W)EA
KPB25(W)EP KPB30(W)EP



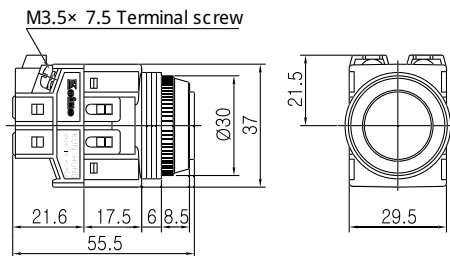
KPB25(W)M



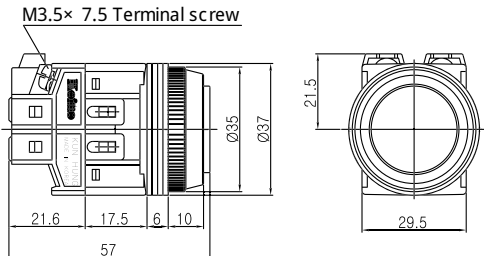
KPB30(W)M



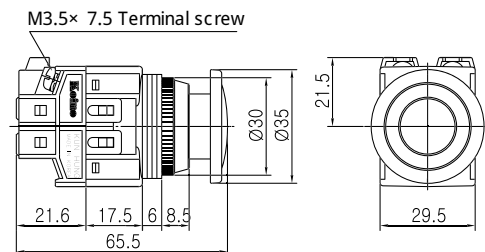
KPB25(W)AT



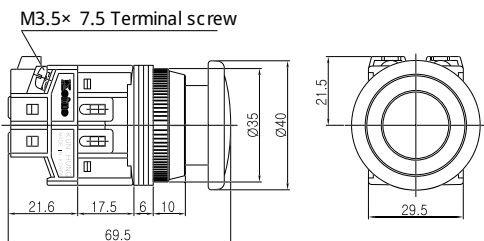
KPB30(W)AT



KPB25(W)EM
KPB25(W)EA
KPB25(W)EP



KPB30(W)EM
KPB30(W)EA
KPB30(W)EP

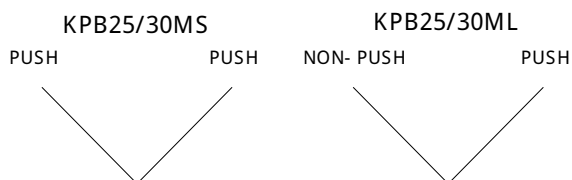


Dimensions

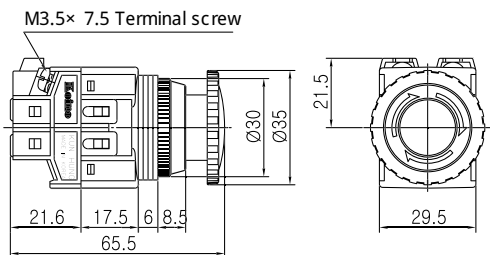
KPB25(W)ER
KPB30(W)ER



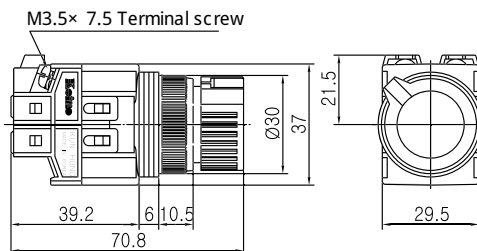
KPB25MS KPB30MS
KPB25ML KPB30ML



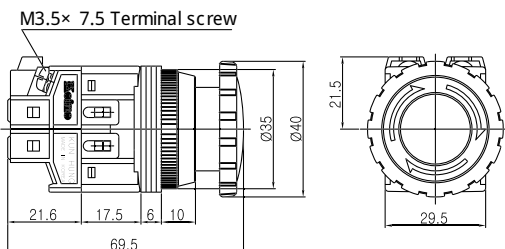
KPB25(W)ER



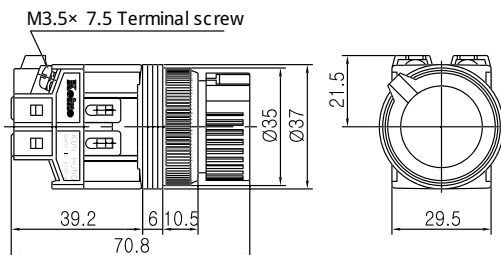
KPB25MS
KPB25ML



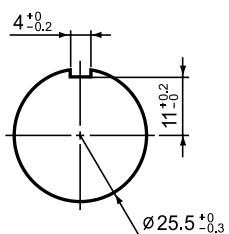
KPB30(W)ER



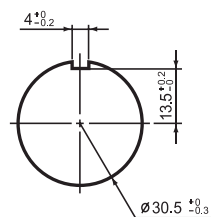
KPB30MS
KPB30ML








KPB25



KPB30



DISASSEMBLING KPB25MS/ML

	1. Insert screw driver between knob and indicator		2. Release lock by lifting indicator
	3. Place indicator on the 2nd lock position		
	4. Release knob ring		5. Twist installation ring

Specification

Switching System	The switching element of KPB25, KPB30 is equipped with normally open contact and normally closed contact.							
Material	Contact	Silver alloy + Copper	Housing	BODY: Nylon glass CONTACT HOUSING: Nylon glass	Buttons	Acetal	Ring	ABS
Mechanical Lifetime	1,000,000 Cycles of operation							
Install	Tightening torque : Max. 0.8N · m							
Standards	This product comply with “ Standards for low- voltage switching devices” EN IEC 60947- 5- 1							
Contact Ratings	250VAC 6A (resistive load)							
Insulation Resistance	Minimum 100MΩ (500VDC)							
Contact Resistance	Maximum 30mΩ							
Electrical Lifetime	100,000 cycles of operation							
Dielectric Strength	Between Live Parts: 1,500VAC(50/60Hz) for 1 minute Between Live and Dead Parts: 1,500VAC(50/60Hz) for 1 minute							
Operational Temperature	- 25° C □+50° C							
Operational Humidity	45 □85%RH							
Protection Degree	IP40 / IP65(“ W” type)							
Shock Resistance	Approximately 50G(500m/s ²)							
Vibration Resistance	10 □5Hz double amplitude 1.5mm (at X, Y and Z axis)							
Approbations	UL, CCC, KC							
Declaration of Conformity	CE							

SELECTOR SWITCH KSL25/30 Series



CONTROL COMPONENTS

MICRO SWITCH

FOOT SWITCH

LIMIT SWITCH

POWER SWITCH

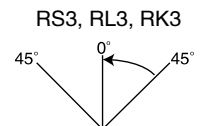
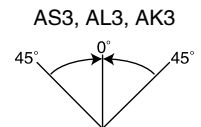
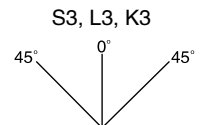
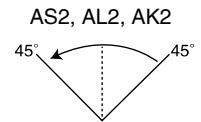
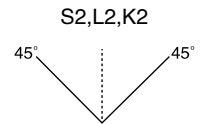
HOIST SWITCH

CAM SWITCH

CLASSIFICATION

KSL25 W S2 - L 1C R 1 1
 ① ② ③ ④ ⑤ ⑥ ⑦ ⑧

① PANEL CUT	25	φ 25
	30	φ 30
② PROTECTION	NONE	IP40
	W	IP65 (except illuminated model)
③ ACTUATOR	S2	2 STEPS MANUAL RETURN with short knob
	S3	3 STEPS MANUAL RETURN with short knob
	AS2	2 STEPS SPRING RETURN with short knob
	AS3	3 STEPS SPRING RETURN with short knob
	RS3	3 STEPS L: MANUAL, R: SPRING with short knob
	L2	2 STEPS MANUAL RETURN with long knob
	L3	3 STEPS MANUAL RETURN with long knob
	AL2	2 STEPS SPRING RETURN with long knob
	AL3	3 STEPS SPRING RETURN with long knob
	RL3	3 STEPS L: MANUAL, R: SPRING with long knob
RK3	3 STEPS L: MANUAL, R: SPRING with key	
④ LAMP	NONE	N/A
	L	LED LAMP
⑤ INPUT VOLTAGE	1A	110VAC AT 50/60 Hz
	2A	220VAC AT 50/60 Hz
	3A	230VAC AT 50/60 Hz
	1C	6V AC/DC
	2C	12V AC/DC
	3C	24 AC/DC
⑥ LAMP COLOR	R	RED, GREEN, YELLOW
⑦ CONTACTS	No.	NUMBER OF NO CONTACT
⑧ CONTACTS	No.	NUMBER OF NC CONTACT



Dimensions

KSL25(W)S2,AS2
 KSL25(W)S3,AS3,RS3
 KSL30(W)S2,AS2
 KSL30(W)S3,AS3,RS3

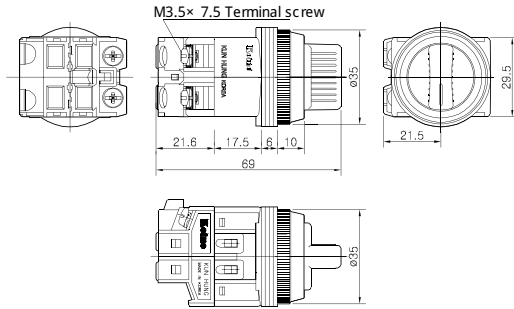
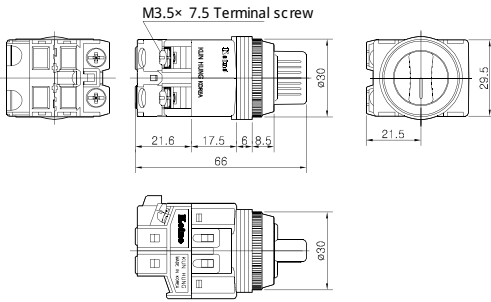
KSL25(W)L2,AL2
 KSL25(W)L3,AL3,RL3
 KSL30(W)L2,AL2
 KSL30(W)L3,AL3,RL3

KSL25(W)K2,AK2
 KSL25(W)K3,AK3,RK3
 KSL30(W)K2,AK2
 KSL30(W)K3,AK3,RK3



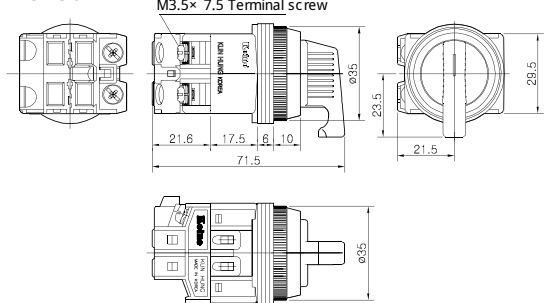
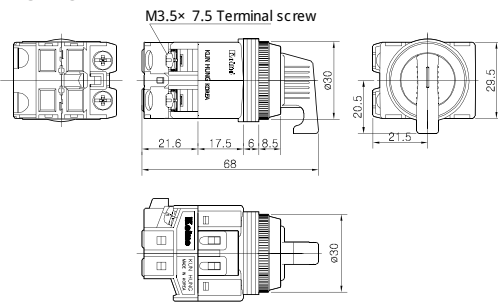
KSL25- S

KSL30- S



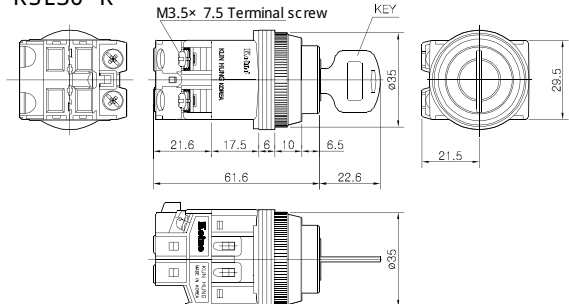
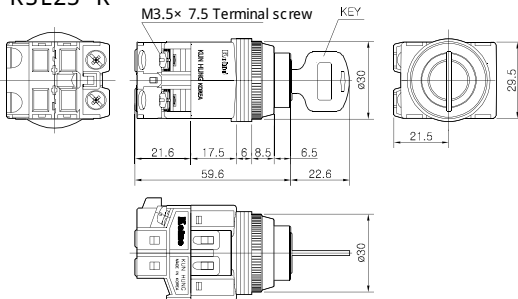
KSL25- L

KSL30- L



KSL25- K

KSL30- K



Dimensions

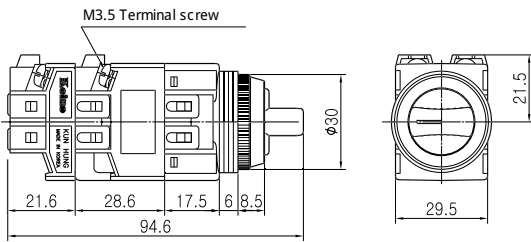
KSL25S2- L2A
KSL30S2- L2A



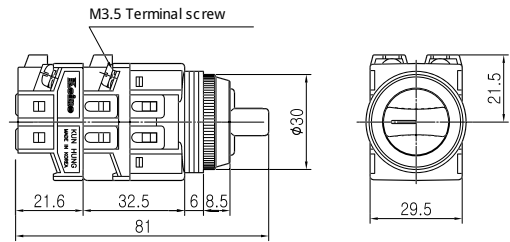
KSL25S2- L2C
KSL30S2- L2C



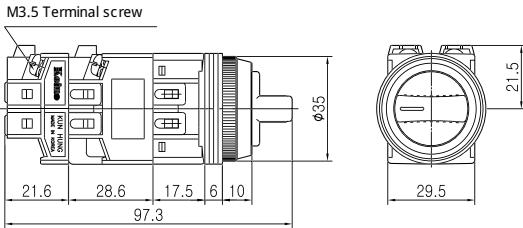
KSL25- L2A



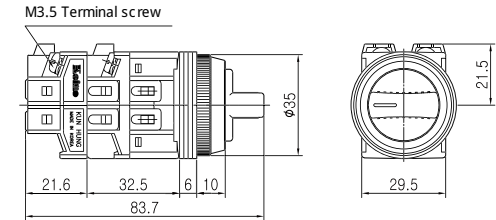
KSL30- L2A



KSL25- L2C



KSL30- L2C



CONTROL COMPONENTS

MICRO SWITCH

FOOT SWITCH

LIMIT SWITCH

POWER SWITCH

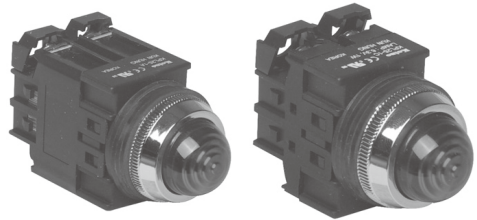
HOIST SWITCH

CAM SWITCH

Specification

Switching System	The switching element of KSL25,KSL30 is equipped with normally open contact and normally closed contact. 1A, 1B, 2A, 2B 1A1B, 2A2B 3A1B and 1A3B contacts are available. Normally 4 contact blocks can be assembled							
Material	Contact	Silver alloy + Copper	Housing	BODY: Nylon glass CONTACT HOUSING: Nylon glass	Knob	Nylon glass	Ring	ABS
Mechanical Lifetime	100,000 & 30,000 Cycles of operation							
Install	Tightening torque : Max. 0.8N · m							
Standards	This product comply with “ Standards for low- voltage switching devices” EN IEC 60947- 5- 1							
Contact Ratings	250VAC 6A (resistive load)							
Insulation Resistance	Minimum 100MΩ (500VDC)							
Contact Resistance	Maximum 30mΩ							
Electrical Lifetime	100,000 cycles of operation							
Dielectric Strength	Between Live Parts: 1,500VAC(50/60Hz) for 1 minute Between Live and Dead Parts: 1,500VAC(50/60Hz) for 1 minute							
Operational Temperature	- 25° C □+50° C							
Operational Humidity	45 □85%RH							
Protection Degree	IP40 / IP65(“ W” type)							
Shock Resistance	Approximately 50G(500m/s ²)							
Vibration Resistance	10 □5Hz double amplitude 1.5mm (at X, Y and Z axis)							
Approbations	UL, CCC, KC							
Declaration of Conformity	CE							

PILOT LAMP KPL25/30 Series



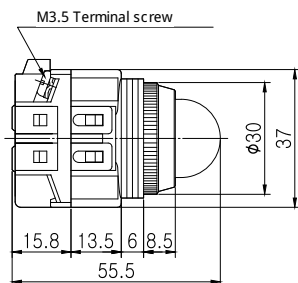
CLASSIFICATION

KPL25 W - 1C R
 ① ② ③ ④

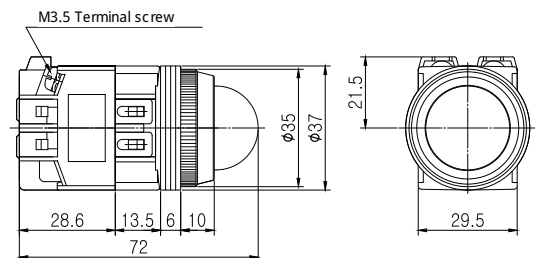
① PANEL CUT	25	φ 25
	30	φ 30
② PROTECTION	NONE	IP40
	W	IP65
③ LAMP	NONE	FILAMENT LAMP
	L	LED LAMP
④ INPUT VOLTAGE	1A	110VAC AT 50/60 Hz
	2A	220VAC AT 50/60 Hz
	3A	230VAC AT 50/60 Hz
	1C	6V AC/DC
	2C	12V AC/DC
	3C	24 AC/DC
⑤ LAMP COLOR	R	RED
	G	GREEN
	Y	YELLOW
	B	BLUE
	C	CLEAR
	W	WHITE
	M	MILKY WHITE
	O	ORANGE

Dimensions

KPL25(W)- 1A,2A,3A

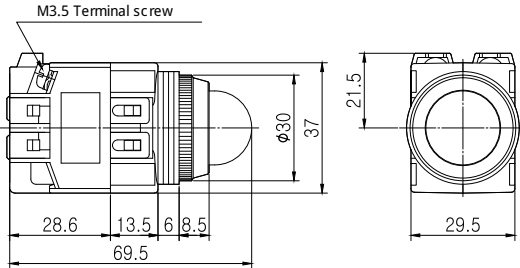


KPL30(W)- 1A,2A,3A

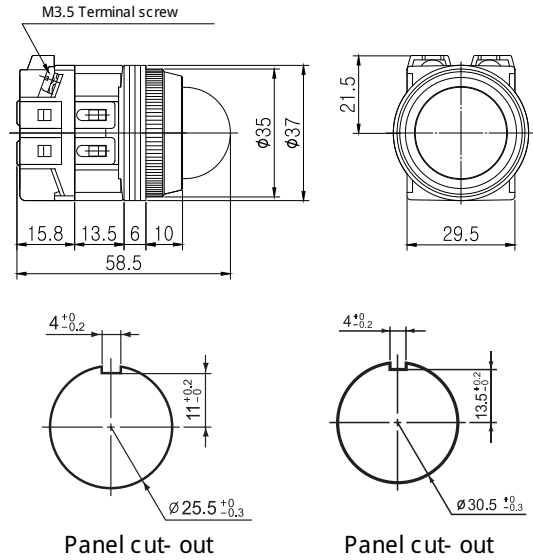


Dimensions

KPL25(W)- 1C,2C,3C



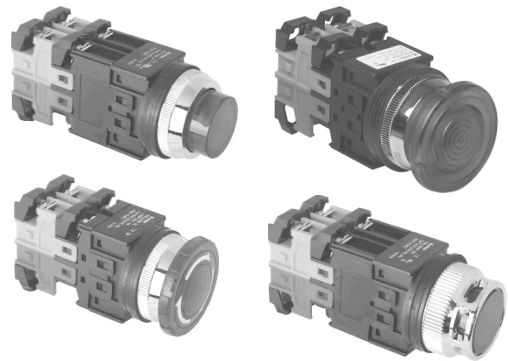
KPL30(W)- 1C,2C,3C



Specification

Material	Contact	Silver alloy + Copper	Housing	BODY: Nylon glass CONTACT HOUSING: Nylon glass	Cap	AS	Ring	ABS, AL(optional)
Mechanical Lifetime	N/A							
Install	Tightening torque : Max. 0.8N · m							
Standards	This product comply with " Standards for low- voltage switching devices" EN IEC 60947- 5- 1							
Contact Ratings	250VAC 6A (resistive load)							
Insulation Resistance	Minimum 100M Ω (500VDC)							
Contact Resistance	Maximum 30m Ω							
Electrical Lifetime	N/A							
Dielectric Strength	Between Live Parts: 1,500VAC(50/60Hz) for 1 minute Between Live and Dead Parts: 1,500VAC(50/60Hz) for 1 minute							
Operational Temperature	- 25° C □+ 50° C							
Operational Humidity	45 □85%RH							
Protection Degree	IP40 / IP65(" W" type)							
Shock Resistance	Approximately 50G(500m/s ²)							
Vibration Resistance	10 □5Hz double amplitude 1.5mm (at X, Y and Z axis)							
Approbations	UL, CCC, KC							
Declaration of Conformity	CE							

ILLUMINATED PUSH BUTTON SWITCH **KBL25/30 Series**



CLASSIFICATION

KBL 25WM - 1C R 1 1

① ② ③ ④ ⑤ ⑥ ⑦

① PANEL CUT	25	φ 25
	30	φ 30
② PROTECTION	NONE	IP40
	W	IP65
③ ACTUATOR	M	PUSH BUTTON, MOMENTARY
	MP	PUSH BUTTON WITH PROTECTIVE RING, MOMENTARY
	AT	PUSH BUTTON, MAINTAINED
	AP	PUSH BUTTON WITH PROTECTIVE RING, MAINTAINED
	EM	MUSHROOM HEADED PUSH BUTTON, MOMENTARY
	EA	MUSHROOM HEADED PUSH BUTTON, MAINTAINED
	ER	MUSHROOM HEADED PUSH BUTTON, TURN TO RESET
④ LAMP TYPE	NONE	FILAMENT AMP
	L	LED LAMP
⑤ INPUT VOLTAGE	1A	110VAC AT 50/60 Hz
	2A	220VAC AT 50/60 Hz
	3A	230VAC AT 50/60 Hz
	1C	6V AC/DC
	2C	12V AC/DC
	3C	24 AC/DC
⑥ LAMP COLOR	R	RED
	G	GREEN
	Y	YELLOW
	B	BLUE
	W	WHITE
⑦ CONTACTS	NUMBER	NUMBER OF NO CONTACT
	NUMBER	NUMBER OF NC CONTACT

CONTROL COMPONENTS

MICRO SWITCH

FOOT SWITCH

LIMIT SWITCH

POWER SWITCH

HOIST SWITCH

CAM SWITCH

Dimensions

KBL25(W)M- 1A,2A,3A
 KBL25(W)AT- 1A,2A,3A
 KBL30(W)M- 1A,2A,3A
 KBL30(W)AT- 1A,2A,3A



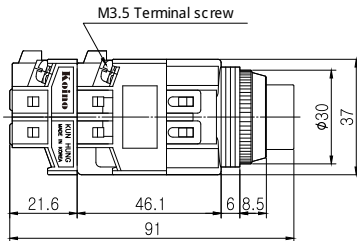
KBL25(W)M- 1C,2C,3C
 KBL25(W)AT- 1C,2C,3C
 KBL30(W)M- 1C,2C,3C
 KBL30(W)AT- 1C,2C,3C



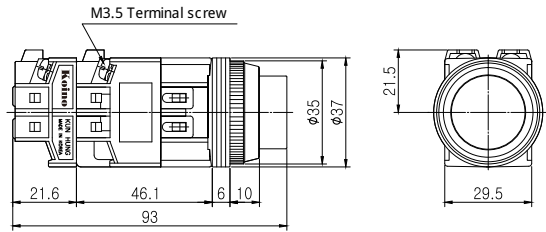
KBL25(W)MP- 1A,2A,3A
 KBL25(W)AP- 1A,2A,3A
 KBL30(W)MP- 1A,2A,3A
 KBL30(W)AP- 1A,2A,3A



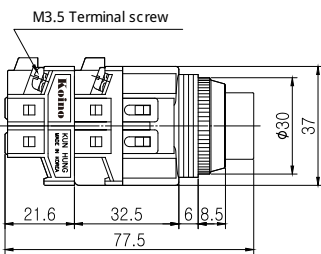
KBL25(W)M- 1A,2A,3A
 KBL25(W)AT- 1A,2A,3A



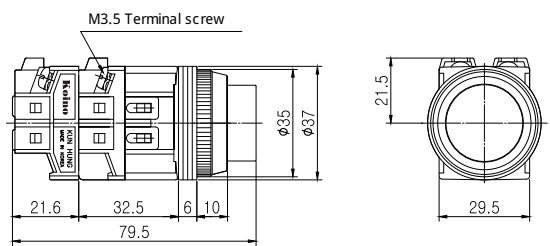
KBL30(W)M- 1A,2A,3A
 KBL30(W)AT- 1A,2A,3A



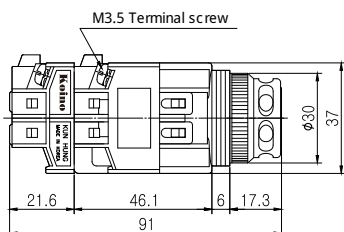
KBL25(W)M- 1C,2C,3C
 KBL25(W)AT- 1C,2C,3C



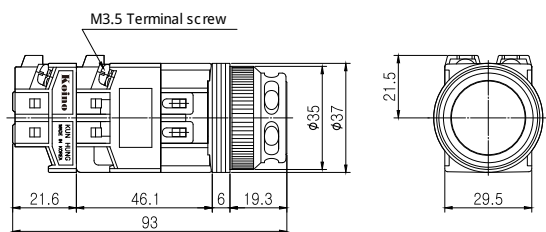
KBL30(W)M- 1C,2C,3C
 KBL30(W)AT- 1C,2C,3C



KBL25(W)MP- 1A,2A,3A
 KBL25(W)AP- 1A,2A,3A



KBL30(W)MP- 1A,2A,3A
 KBL30(W)AP- 1A,2A,3A



Dimensions

KBL25(W)MP- 1C,2C,3C
 KBL25(W)AP- 1C,2C,3C
 KBL30(W)MP- 1C,2C,3C
 KBL30(W)AP- 1C,2C,3C



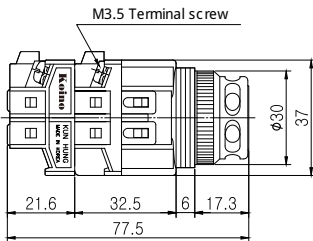
KBL25(W)ER- 1A,2A,3A
 KBL30(W)ER- 1A,2A,3A



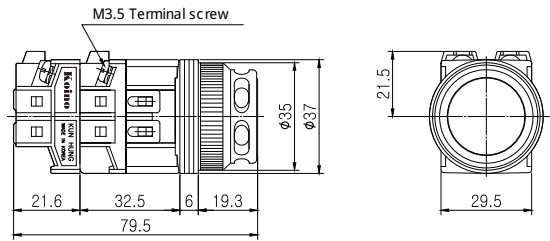
KBL25(W)ER- 1C,2C,3C
 KBL30(W)ER- 1C,2C,3C



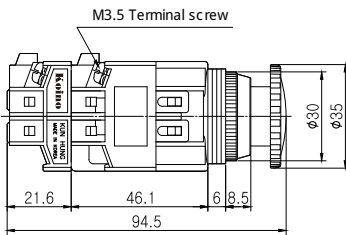
KBL25(W)MP- 1C,2C,3C
 KBL25(W)AP- 1C,2C,3C



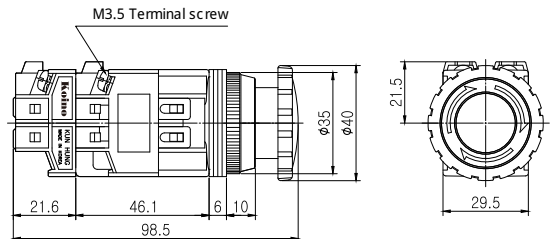
KBL30(W)MP- 1C,2C,3C
 KBL30(W)AP- 1C,2C,3C



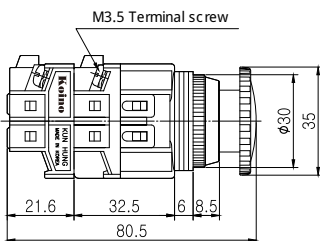
KBL25(W)ER- 1A,2A,3A



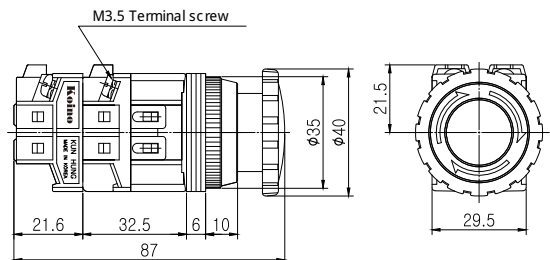
KBL30(W)ER- 1A,2A,3A



KBL25(W)ER- 1C,2C,3C



KBL30(W)ER- 1C,2C,3C



CONTROL COMPONENTS

MICRO SWITCH

FOOT SWITCH

LIMIT SWITCH

POWER SWITCH

HOIST SWITCH

CAM SWITCH

Dimensions

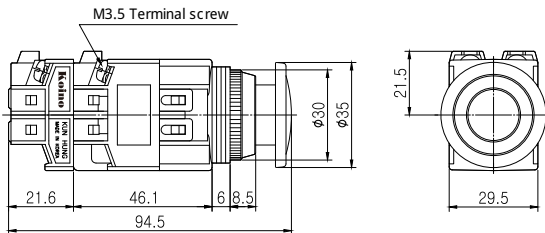
KBL25(W)EM- 1A,2A,3A
 KBL25(W)EA- 1A,2A,3A
 KBL25(W)EP- 1A,2A,3A
 KBL30(W)EM- 1A,2A,3A
 KBL30(W)EA- 1A,2A,3A
 KBL30(W)EP- 1A,2A,3A



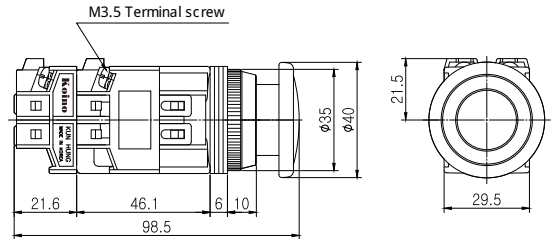
KBL25(W)EM- 1C,2C,3C
 KBL25(W)EA- 1C,2C,3C
 KBL25(W)EP- 1C,2C,3C
 KBL30(W)EM- 1C,2C,3C
 KBL30(W)EA- 1C,2C,3C
 KBL30(W)EP- 1C,2C,3C



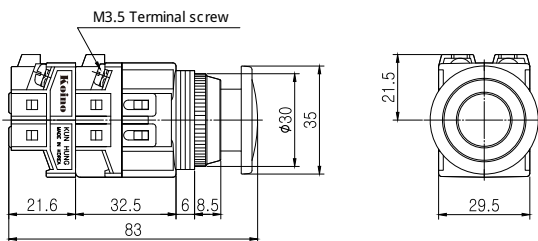
KBL25(W)EM- 1A,2A,3A
 KBL25(W)EA- 1A,2A,3A
 KBL25(W)EP- 1A,2A,3A



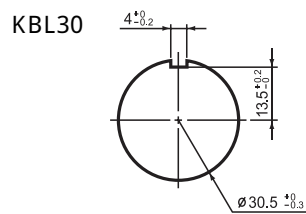
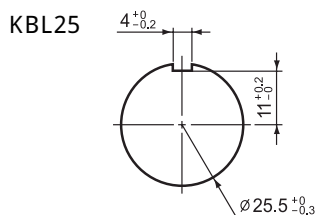
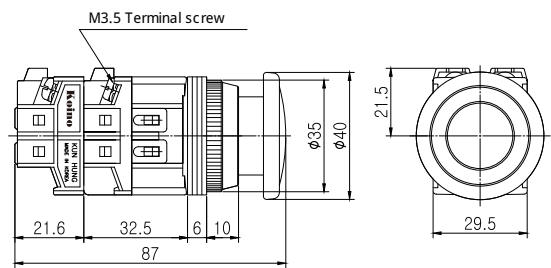
KBL30(W)EM- 1A,2A,3A
 KBL30(W)EA- 1A,2A,3A
 KBL30(W)EP- 1A,2A,3A



KBL25(W)EM- 1C,2C,3C
 KBL25(W)EA- 1C,2C,3C
 KBL25(W)EP- 1C,2C,3C



KBL30(W)EM- 1C,2C,3C
 KBL30(W)EA- 1C,2C,3C
 KBL30(W)EP- 1C,2C,3C



Specification

Switching System	The switching element of KSL25,KSL30 is equipped with normally open contact and normally closed contact. 1A, 1B, 2A, 2B 1A1B, 2A2B 3A1B and 1A3B contacts are available. Normally 4 contact blocks can be assembled							
Material	Contact	Silver alloy + Copper	Housing	BODY: Nylon glass CONTACT HOUSING: Nylon glass	Buttons	Acetal	Ring	ABS (Aluminum ring for KBL30M and KBL30AT is available)
Mechanical Lifetime	1,000,000 Cycles of operation							
Install	Tightening torque : Max. 0.8N · m							
Standards	This product comply with “ Standards for low- voltage switching devices” EN IEC 60947- 5- 1							
Contact Ratings	250VAC 6A (resistive load)							
Insulation Resistance	Minimum 100MΩ (500VDC)							
Contact Resistance	Maximum 30mΩ							
Electrical Lifetime	100,000 cycles of operation							
Dielectric Strength	Between Live Parts: 1,500VAC (50/60Hz) for 1 minute Between Live and Dead Parts: 1,500VAC (50/60Hz) for 1 minute							
Operational Temperature	- 25° C □+ 50° C							
Operational Humidity	45 □85% RH							
Protection Degree	IP40 / IP65(“ W” type)							
Shock Resistance	Approximately 50G(500m/s ²)							
Vibration Resistance	10 □55Hz double amplitude 1.5mm (at X, Y and Z axis)							
Approbations	UL, CCC, KC							
Declaration of Conformity	CE							

CLASSIFICATION

NF25 □ - □ □ □ □ □ □
 ① ② ③ ④ ⑤ ⑥ ⑦

① IP40	NF25	25 Aluminum bezel
	NF30	30 Aluminum bezel
	NF25G	25 Plastic bezel
	NF30G	30 Plastic bezel
② IP65	NF25W	II 025 Aluminum bezel
	NF30W	030 Aluminum bezel
	NF25GW	25 Plastic bezel
	NF30GW	II 030 Plastic bezel
③ Shape	L	Pilot lamp
	P	Push button
	B	Illuminated push button
	S	Selector
	K	Key selector*
④ Actuator	M	Momentary push button
	A	Alternate push button
	EM	Mushroom head push button (momentary)
	ER	Mushroom head push button (turn to reset)
	2	2 steps manual return selector
	3	3 steps manual return selector
	A2	2 steps auto return selector
	A3	3 steps auto return selector
⑤ Input voltage	1A	110VAC 50/60Hz
	2A	220VAC 50/60Hz
	1C	6VDC
	2C	12VDC
	3C	24VDC
⑥ LED color	R	Red
	G	Green
	Y	Yellow
	B	Blue
	W	White (Lamp only)
	O	Orange (Amber)
⑦ Contacts block	Number	Number of NO contacts
	Number	Number of NC contact 也

*Key selector: Non- illuminated type only

Bulb

Model No.	Pilot lamp	Push button switch (momentary)	Push button switch (alternate)	Selector switch	Key selector switch
		NF25 L NF25G L NF25W- L NF25GW- L NF30- L NF30G- L NF30W L NF30GW- L	NF25- PM NF25- BM NF25G- PM NF25G- BM NF25W- PM NF25W- BM NF25GW- PM NF25GW- BM NF30- PM NF30- BM NF30G- PM NF30G- BM NF30W PM NF30W- BM NF30GW- PM NF30GW- BM	NF25- PA NF25- BA NF25G- PA NF25G BA NF25W- PA NF25W- BA NF25GW- PA NF25GW- BA NF30- PA NF30- BA NF30G- PA NF30G- BA NF30W- PA NF30W- BA NF30GW- PA NF30GW- BA	NF25- S NF25G- S NF25W- S NF25GW- S NF30- S NF30G- S NF30W- S NF30GW- S
Rated current(Ue/Ie)	AC15:125V 6A, 250V 3A / DC13 : 250V 0.27A				
Rated insulation voltage(ui)	100MΩ (DC500V)				
Rated impulse withstand voltage(Uimp)	2,500Vac(50Hz/60Hz for 1 minute)				
Conventional free air thermal current(Ith)	30mΩ Max.				
Utilization category	500,000 operations Minimum(30ops./ 1 minute Max.)				
Withstand voltage	Push button(Momentary):5 million operations Push button(Alternate):1 million operations Selector:1 million(Illuminating type: 0.5 million) operations Key selector:0.5 million operations Double button:1 million operations *1NO+1NC				
Vibration resistance	10 □5Hz 3 axis 1.5m X, Y, Z each direction for 1 h				
Shock resistance	Destruction at 50G minimum, Malfunction at 10G minimum				
Ambient temperature for operation	IP66(Double button:IP40, IP66- with boots seal)				
Ambient humidity for operation	- 25°C □+70°C (not frozen condition) - 25°C □+55°C (lamp, not frozen condition)				
Frequency of operation	- 40°C □+70°C (not frozen condition)				
Frequency of operation	45 □85% RH				
Durability	Electrical	600V			
	Mechanical	6KV			
Protection degree	10A				

CONTROL COMPONENTS

MICRO SWITCH

FOOT SWITCH

LIMIT SWITCH

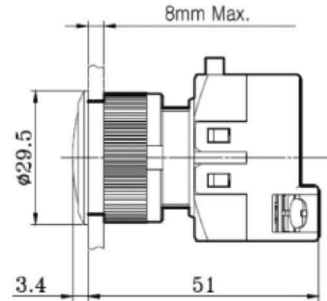
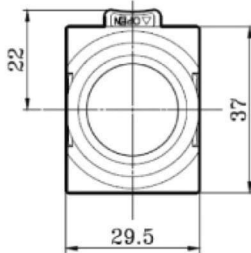
POWER SWITCH

HOIST SWITCH

CAM SWITCH

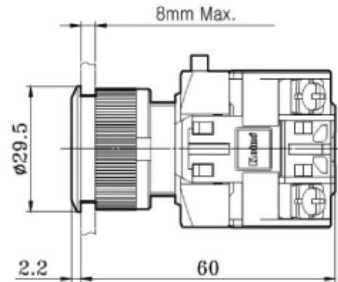
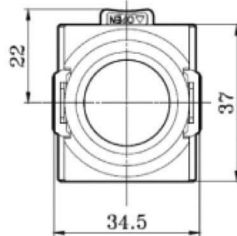
NF25 series - Aluminum bezel

NF25/NF25- L/NF25W- L



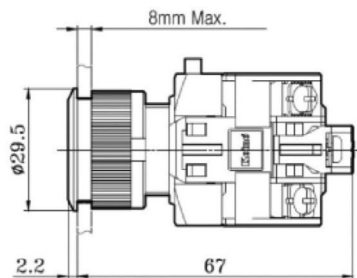
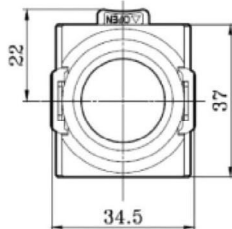
* Terminal Screw M3.5X7.5

NF25- PM / NF25- PA / NF25W- PM / NF25W- PA



* Terminal Screw M3.5X7.5

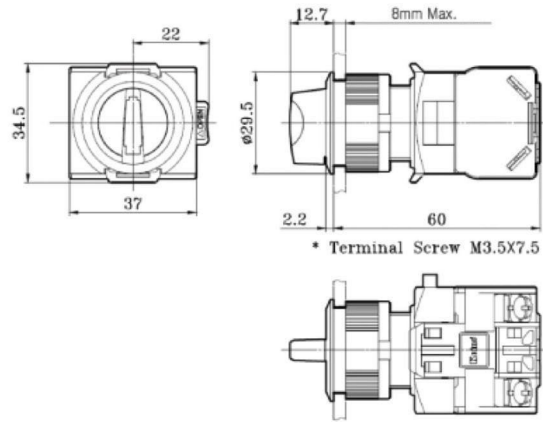
NF25- BM / NF25- BA / NF25W- BM / NF25W- BA



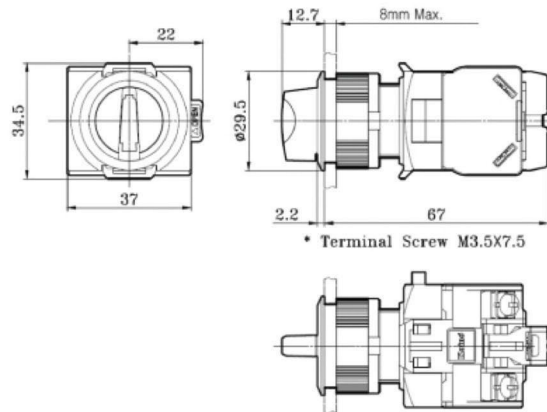
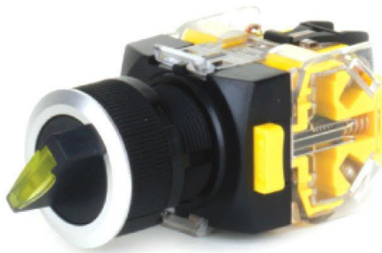
* Terminal Screw M3.5X7.5

NF25 series - Aluminum bezel

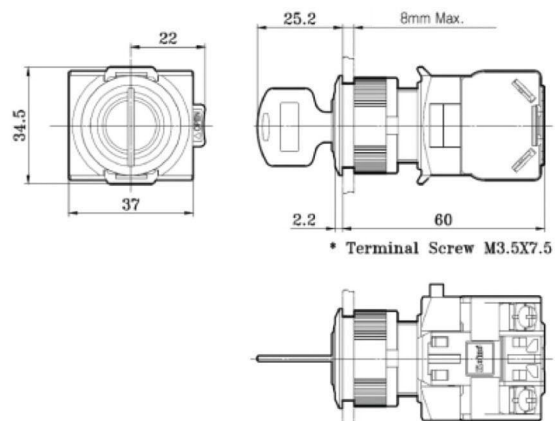
NF25- S / NF25W- S



NF25- S3C / NF25W- S3C



NF25- K / NF25W- K



CONTROL COMPONENTS

MICRO SWITCH

FOOT SWITCH

LIMIT SWITCH

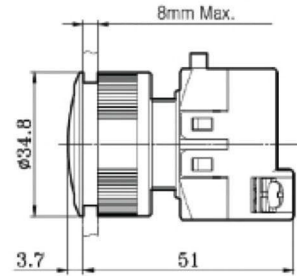
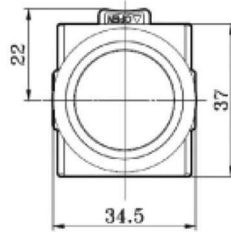
POWER SWITCH

HOIST SWITCH

CAM SWITCH

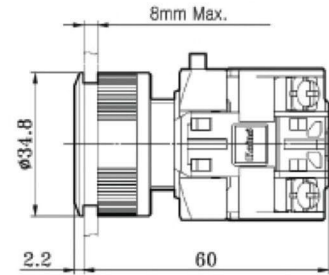
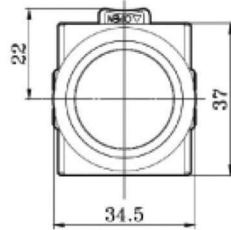
NF30 series - Aluminum bezel

NF30- L / NF30W- L



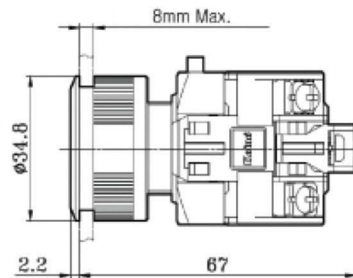
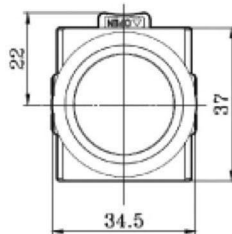
* Terminal Screw M3.5X7.5

NF30- PM / NF30- PA / NF30W- PM / NF30- PA



* Terminal Screw M3.5X7.5

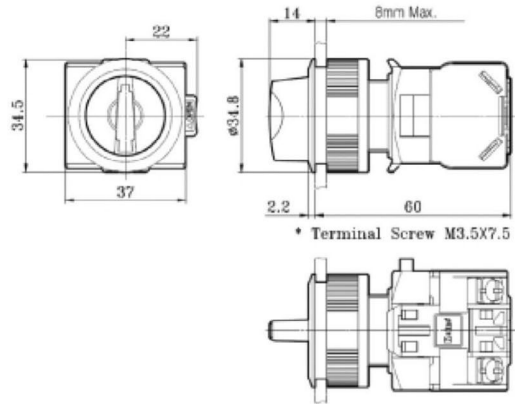
NF30- BM / NF30- BA / NF30W- BM / NF30- BA



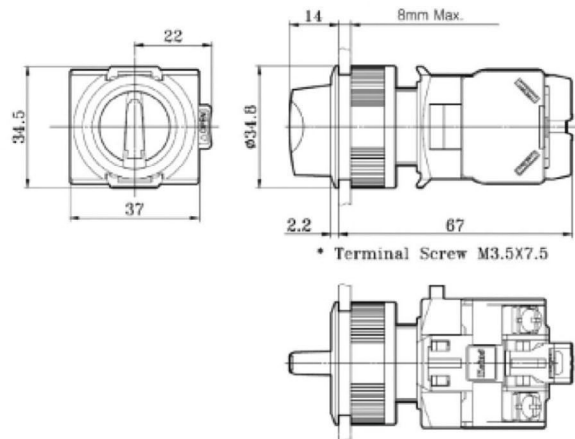
* Terminal Screw M3.5X7.5

NF30 series - Aluminum bezel

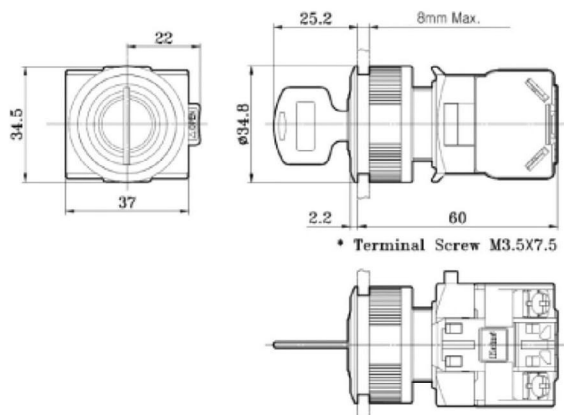
NF30- S / NF30W- S



NF30- S3C / NF30W- S3C



NF30- K / NF30W- K



CONTROL COMPONENTS

MICRO SWITCH

FOOT SWITCH

LIMIT SWITCH

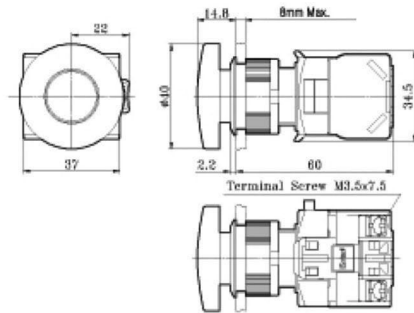
POWER SWITCH

HOIST SWITCH

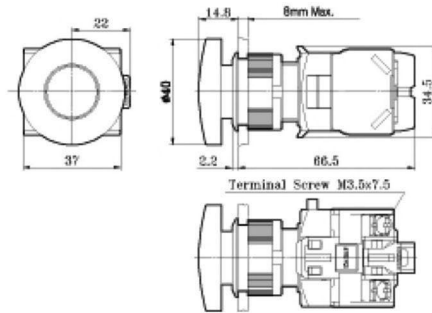
CAM SWITCH

NF25 series - Aluminum bezel

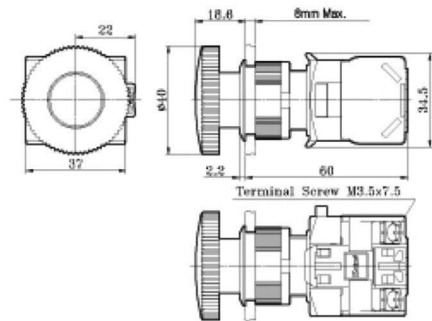
NF25- PEM



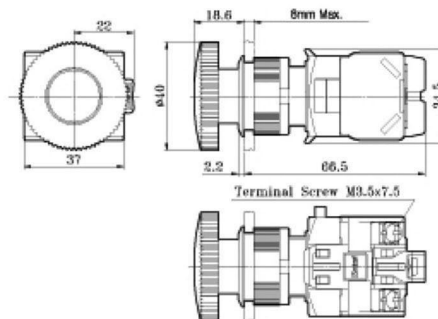
NF25- BEM



NF25- PER

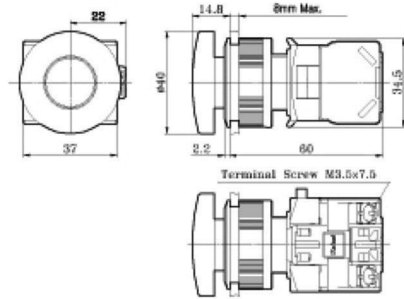


NF25- BER

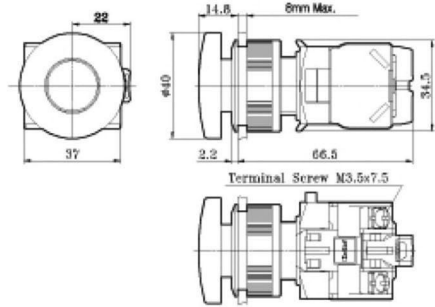


NF30 series - Aluminum bezel

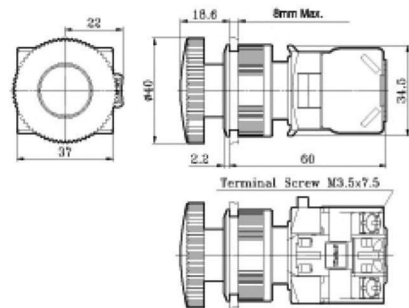
NF30- PEM



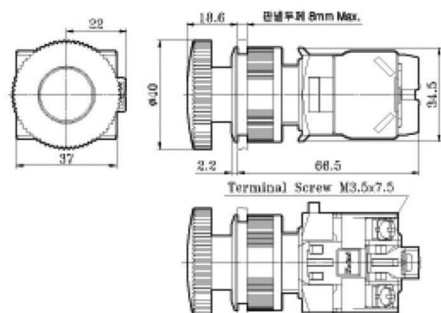
NF30- BEM



NF30- PER



NF30- BER



CONTROL COMPONENTS

MICRO SWITCH

FOOT SWITCH

LIMIT SWITCH

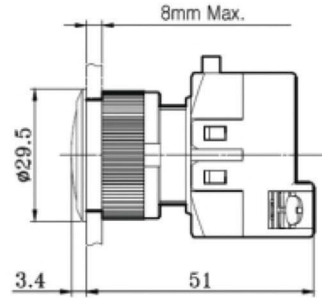
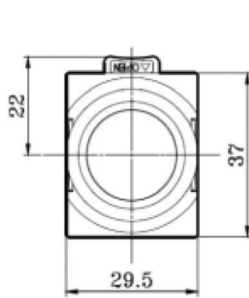
POWER SWITCH

HOIST SWITCH

CAM SWITCH

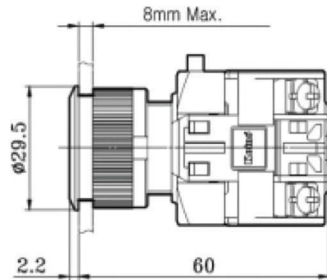
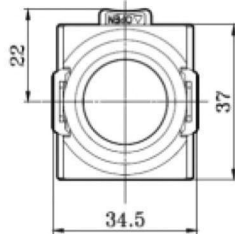
NF25 series - Plastic bezel

NF25G- L / NF25GW- L



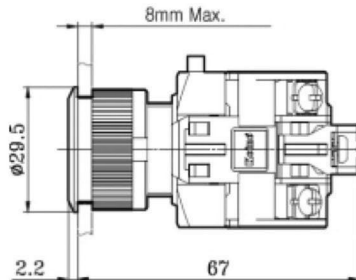
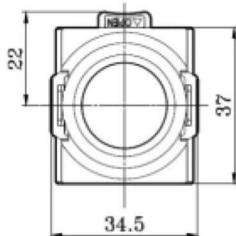
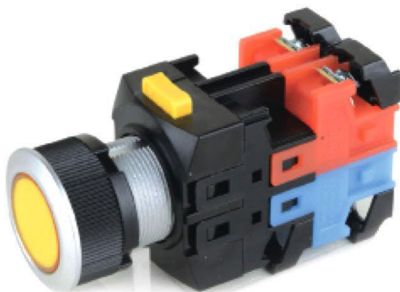
* Terminal Screw M3.5X7.5

NF25G- PM / NF25G- PA / NF25GW- PM / NF25GW- PA



* Terminal Screw M3.5X7.5

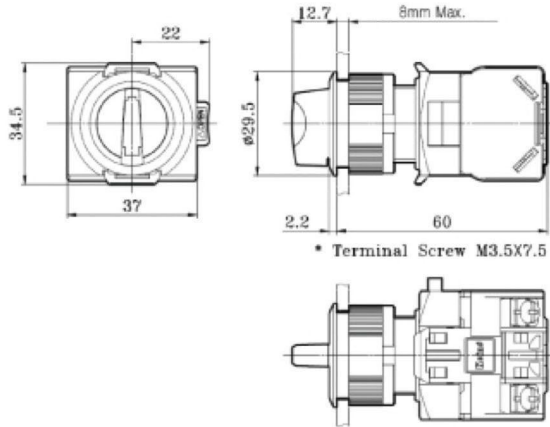
NF25G- BM / NF25G- BA / NF25GW- BM / NF25GW- BA



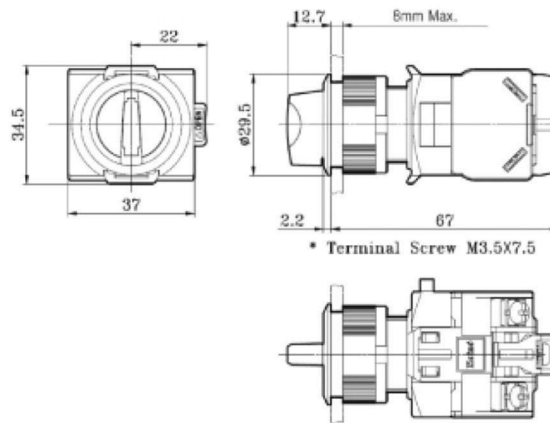
* Terminal Screw M3.5X7.5

NF25 series - Plastic bezel

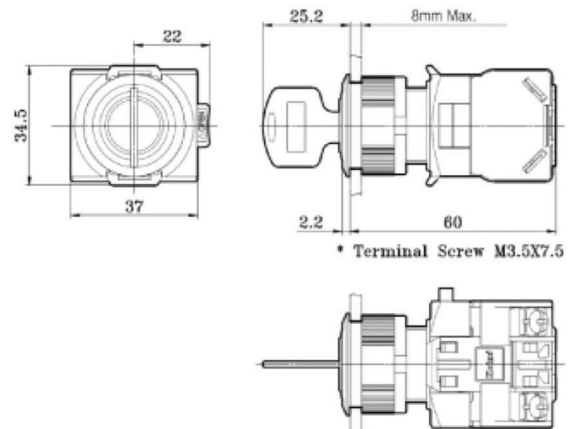
NF25G- S / NF25GW- S



NF25G- S3C / NF25GW- S3C



NF25G- K / NF25GW- K



CONTROL COMPONENTS

MICRO SWITCH

FOOT SWITCH

LIMIT SWITCH

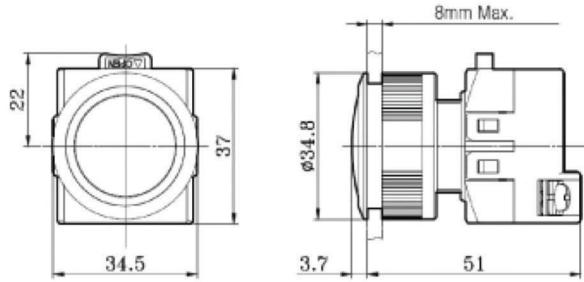
POWER SWITCH

HOIST SWITCH

CAM SWITCH

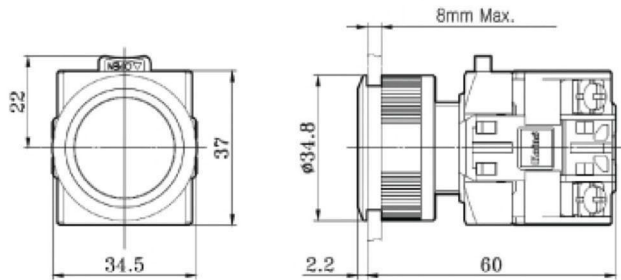
NF30 series - Plastic bezel

NF30G- L / NF30GW- L



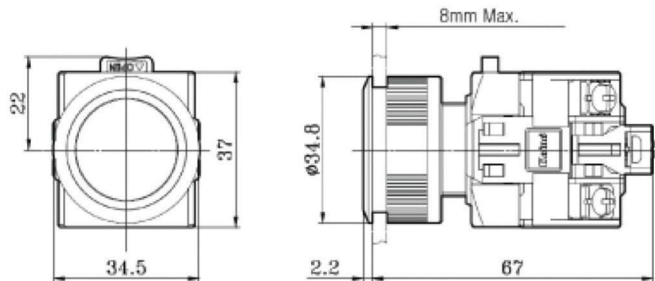
* Terminal Screw M3.5X7.5

NF30G- PM / NF30G- PA / NF30GW- PM / NF30GW- PA



* Terminal Screw M3.5X7.5

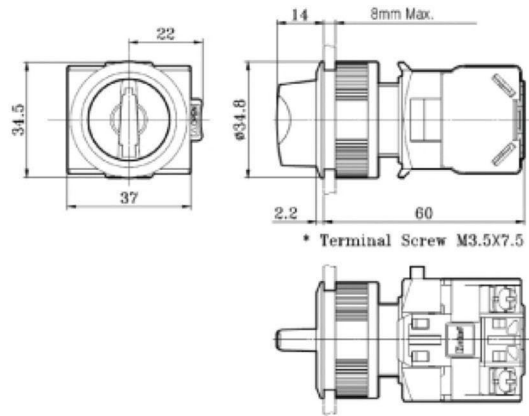
NF30G- BM / NF30G- BA / NF30GW- BM / NF30GW- BA



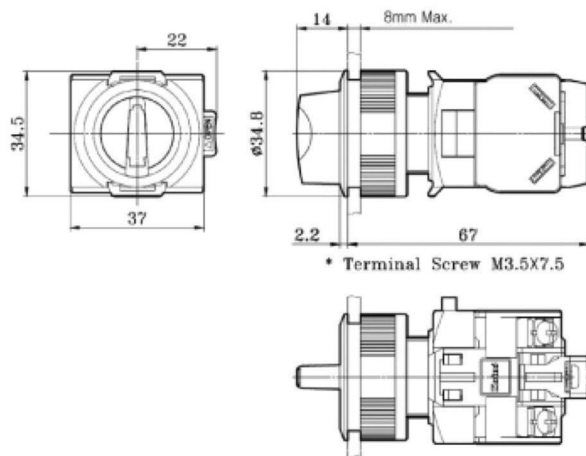
* Terminal Screw M3.5X7.5

NF30 series - Plastic bezel

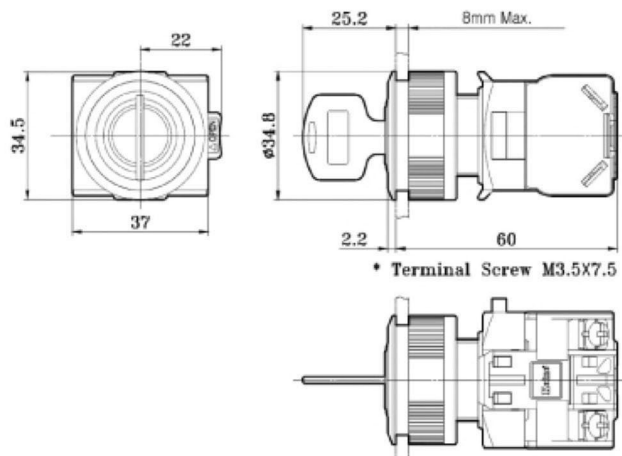
NF30G- S / NFGW- S



NF30G- S3C / NF30GW- S3C



NF30G- K / NF30GW- K



CONTROL COMPONENTS

MICRO SWITCH

FOOT SWITCH

LIMIT SWITCH

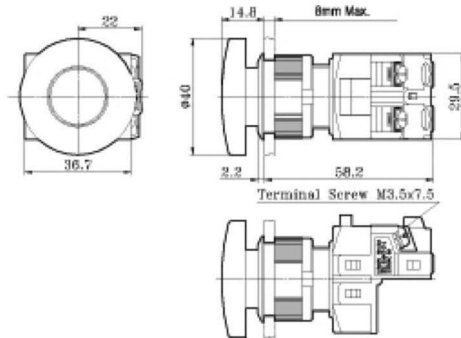
POWER SWITCH

HOIST SWITCH

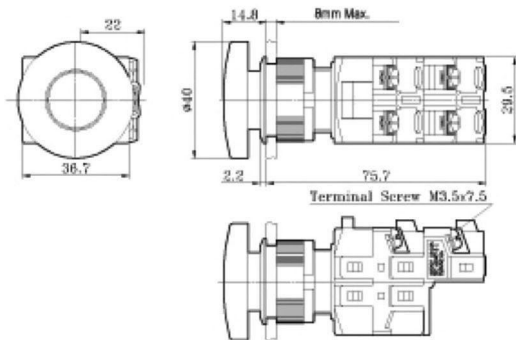
CAM SWITCH

NF25 series - Plastic bezel

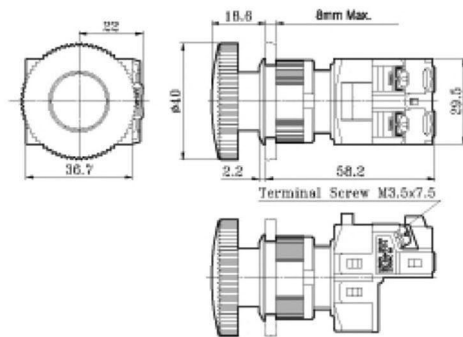
NF25G- PEM



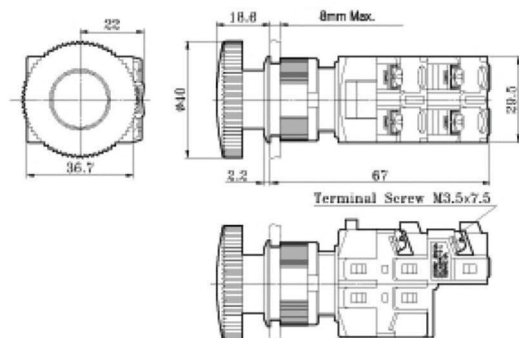
NF25G- BEM



NF25G- PER

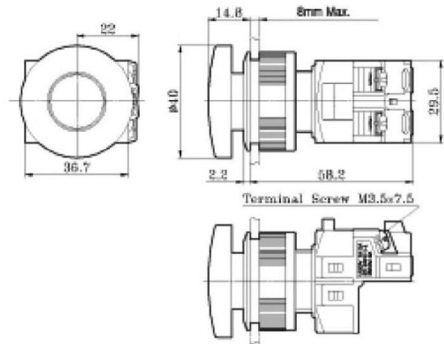


NF25G- BER

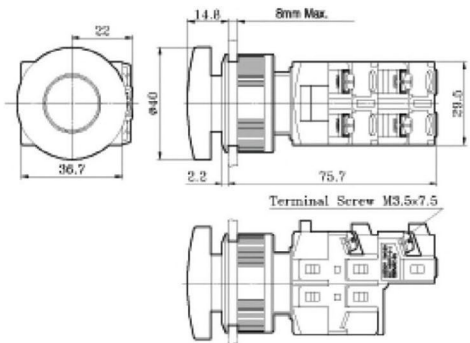


NF30 series - Plastic bezel

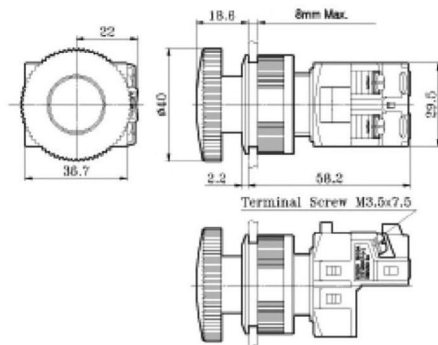
NF30G- PEM



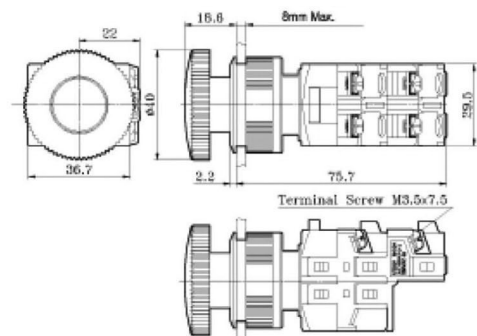
NF30G- BEM



NF30G- PER



NF30G- BER



CONTROL COMPONENTS

MICRO SWITCH

FOOT SWITCH

LIMIT SWITCH

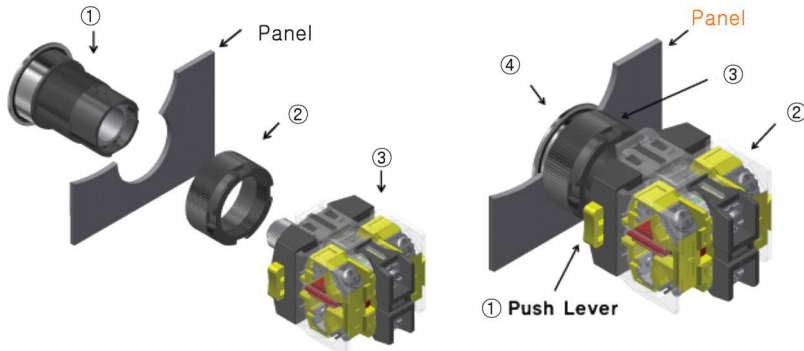
POWER SWITCH

HOIST SWITCH

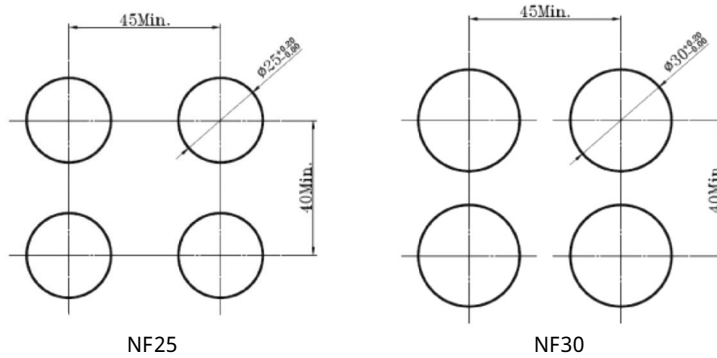
CAM SWITCH

NF series

INSTALLATION GUIDE



PANEL CUT



ACCESSORIES



NF25 Anti- rotating ring



NF30 Anti- rotating ring



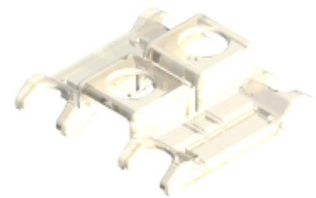
Tightening tool



Terminal cover(Non- Illuminated type)



Terminal cover(Pilot lamp)



Terminal cover(Illuminated type)