

CLASSIFICATION

NS22- □ □ - □ □ □ □ □ □ □ □

① ② ③ ④ ⑤ ⑥ ⑦ ⑧ ⑨

①	NS22	Ø22mm control switch	
② Type	L	Pilot lamp	
	P	Non- illuminated Push button	
	B	Illuminated push button	
	S	Short knob selector	
	SL	Long knob selector	
	K	Key selector	
	D	Double button	
③ Actuator	M	Momentary	
	A	Alternate (Push- Push)	
	EM	Mushroom head push button (Momentary)	
	2	2steps manual return	
	3	3steps manual return	
	A2	2steps auto(spring) return	
	A3	3steps auto(spring) return	
④ Lamp	None	Filament	
	L	LED	
⑤ Input voltage	1AL	110V AC/DC 50/60Hz	LED type only
	2AL	220V AC/DC 50/60Hz	
	1A	110V AC 50/60Hz	Transformer
	12A	120VAC 50/60Hz	
	2A	220V AC 50/60Hz	
	3A	230V AC 50/60Hz	
	4A	380V AC 60Hz	
	5A	440V AC 60Hz	
	1C	6V AC/DC	DC volt.: LED only
	2C	12V AC/DC	
	3C	24V AC/DC	
	1D	48V DC	Transformer LED only
	2D	110V DC	
	12D	120V DC	
	3D	125V DC	
	⑥	R	Red
G		Green	
Y		Yellow	
B		Blue	
W		White (Lamp only)	
O		Orange (Amber)	
BK		Black (Not available with lamp type)	
⑦ 1st column	Number of blocks	NO=A, NC=B, None=0	
⑧ 2nd column			
⑨ 3rd column			

CONTROL COMPONENTS

MICRO SWITCH

FOOT SWITCH

LIMIT SWITCH

POWER SWITCH

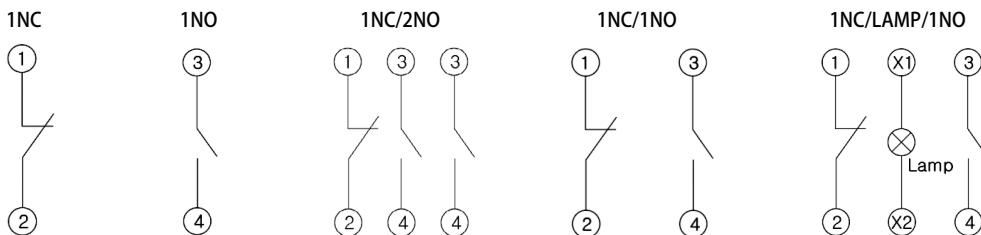
HOIST SWITCH

CAM SWITCH

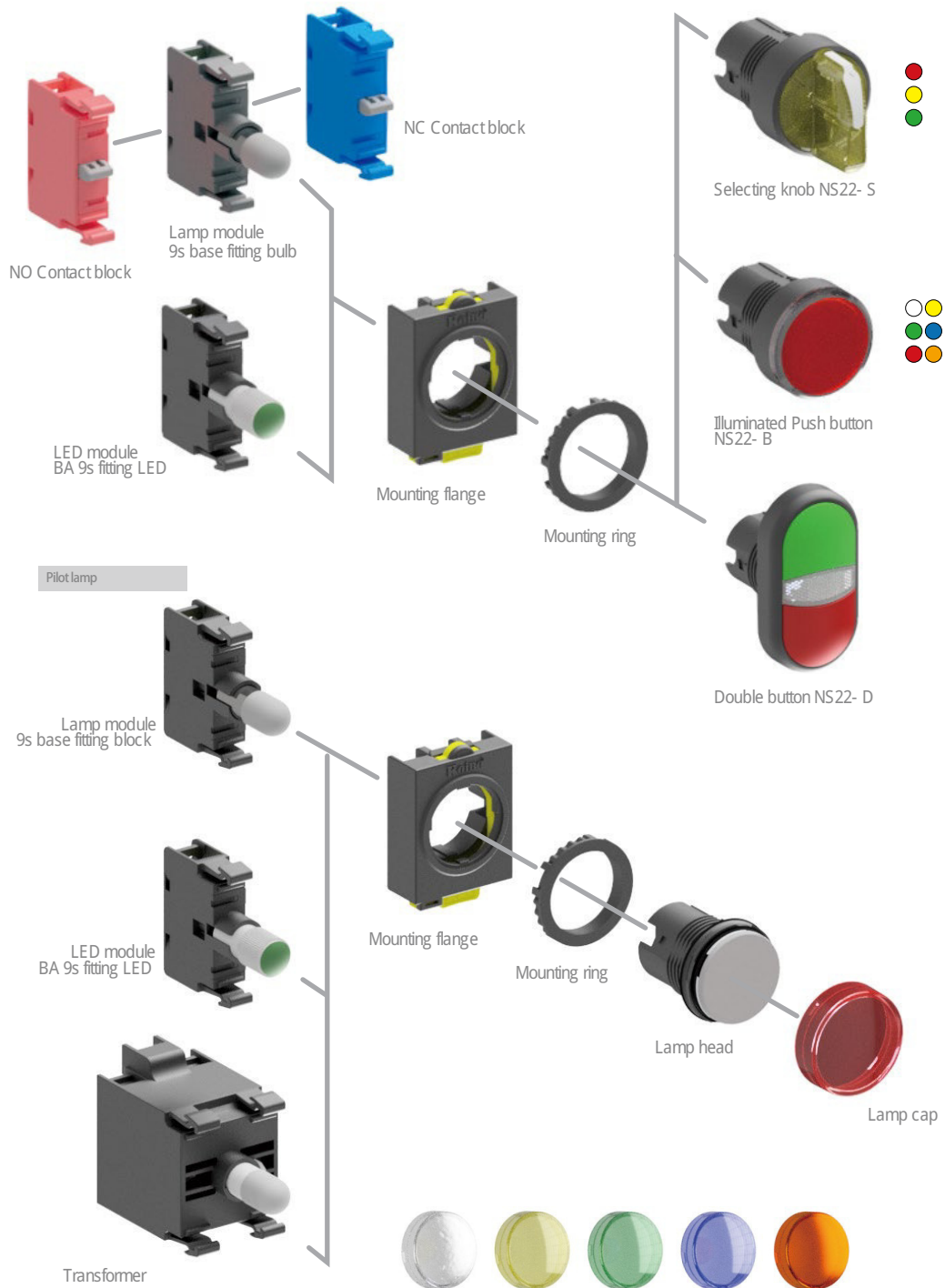
Specification

Type	Pilot lamp	Push button	Selector	Key selector	Double button	Mushroom push button
	NS22- L	NS22- PM NS22- PA NS22- BM NS22- BA	NS22- S2 NS22- S3 NS22- SA2 NS22- SA3 NS22- S3R NS22- SL2 NS22- SL3 NS22- SLA2 NS22- SLA3 NS22- SL3R	NS22- K2 NS22- K3 NS22- KA2 NS22- KA3 NS22- K3R	NS22- DM	NS22- PEM
Contact rating	AC 15:125V 6A, 250V 3A / DC 13 : 250V 0.27A					
Insulation resistance	100MΩ (DC 500V)					
Withstand voltage	2,500Vac(50Hz/60Hz for 1 minute)					
Contact resistance	30mΩ Max.					
Electrical durability	500,000 operations Minimum(30ops./ 1 minute Max.)					
Mechanical durability	Push button(Momentary):5 million operations Push button(Alternate):1 million operations Selector:1 million(Illuminating type: 0.5 million) operations Key selector:0.5 million operations Double button:1 million operations *1NO+1NC					
Vibration resistance	10 □55Hz 3 axis 1.5m X, Y, Z each direction for 1 h					
Shock resistance	Destruction at 50G minimum, Malfunction at 10G minimum					
Protection degrees	IP66(Double button:IP40, IP66- with boots seal)					
Operating ambient temperature	- 25°C □+70°C (not frozen condition) - 25°C □+55°C (lamp, not frozen condition)					
Ambient temperature	- 40°C □+70°C (not frozen condition)					
Operating ambient humidity	45 □85% RH					
Rated insulation voltage	600V					
Rated impulse withstand voltage	6KV					
Thermal current(Ith)	10A					

Terminal wiring diagram

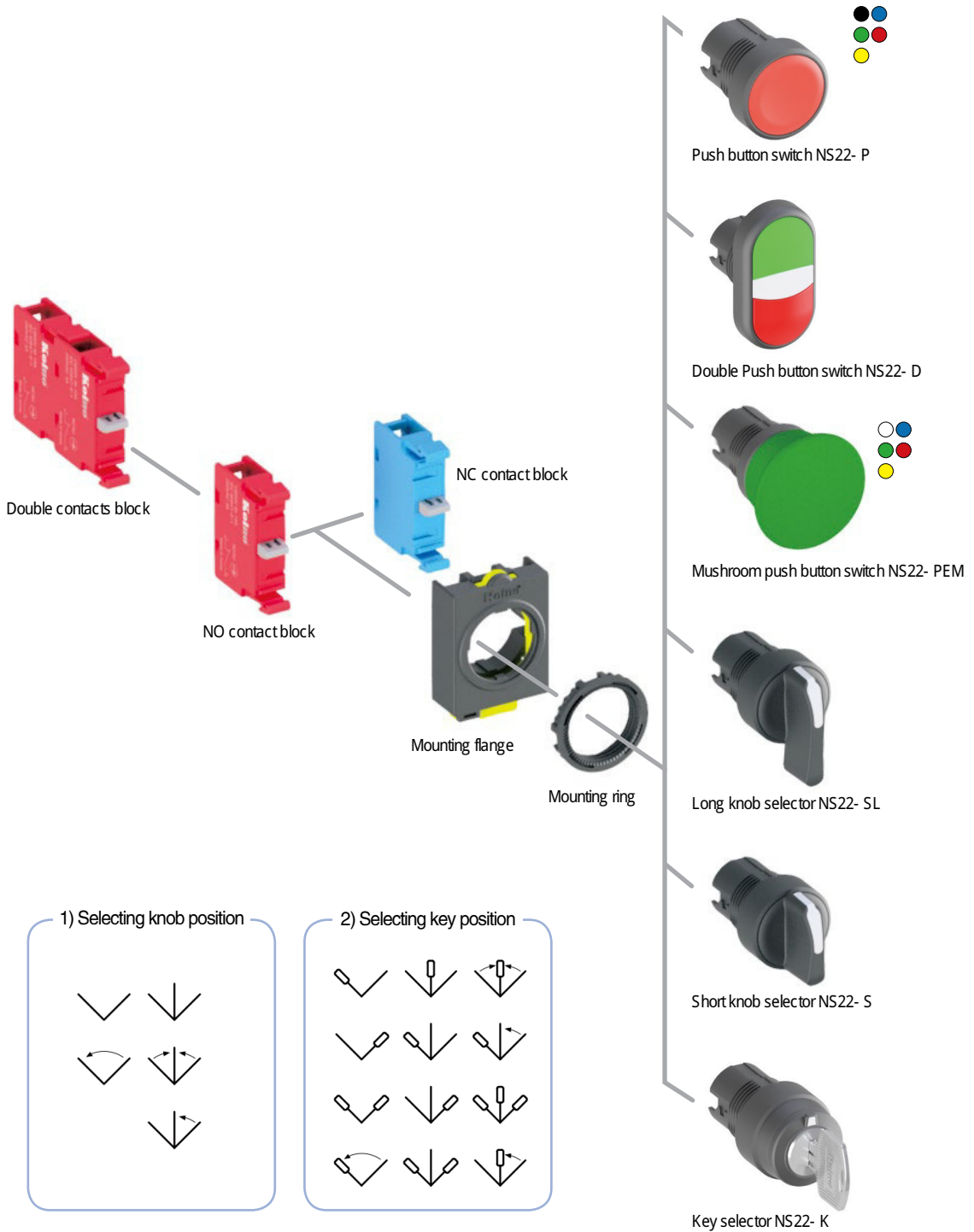


Illuminated push button switch



- CONTROL COMPONENTS
- MICRO SWITCH
- FOOT SWITCH
- LIMIT SWITCH
- POWER SWITCH
- HOIST SWITCH
- CAM SWITCH

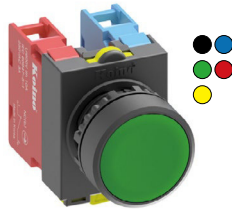
Non-illuminated Switches



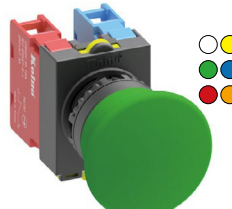
Non-LED Switches



Push button
(Momentary)
NS22-PM



Push button
(Alternate)
NS22-PA



Mushroom push button switch
NS22-PEM



Double push button
NS22-DM



Short knob selector
NS22-S



Long knob selector
NS22-SL



Key selector
NS22-K



Pilot lamp
NS22-L
BA 9s base Bulb



Pilot lamp
NS22-L
BA 9s base Bulb



Illuminated double button
NS22-DM
BA 9s base Bulb



Illuminated push button
(Momentary)
NS22-BM
BA 9s base Bulb



Illuminated push button
(Alternate)
NS22-BA
BA 9s base Bulb



Illuminated selector (Short knob)
NS22-S
BA 9s base Bulb

CONTROL COMPONENTS

MICRO SWITCH

FOOT SWITCH

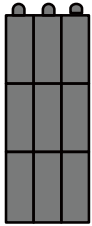
LIMIT SWITCH

POWER SWITCH

HOIST SWITCH

CAM SWITCH

Contact Blocks Assembly



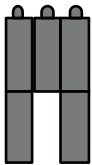
Push button
(Momentary)
NS22-PM



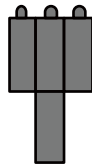
Push button
(Alternate)
NS22-PA



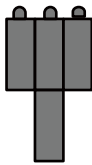
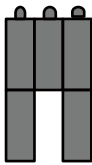
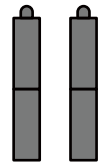
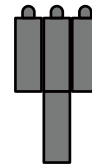
Double push button
NS22-DM



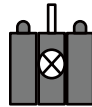
Short knob selector
NS22-S



Long knob selector
NS22-SL



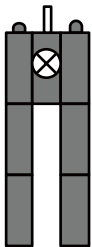
Key selector
NS22-K



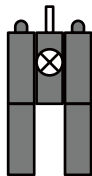
Illuminated short knob selector
NS22-S



Illuminated push button
(Momentary)
NS22-BM



Illuminated double button
NS22-DM



Illuminated selector (Short knob)
NS22-S



Mushroom push button switch
NS22-PEM

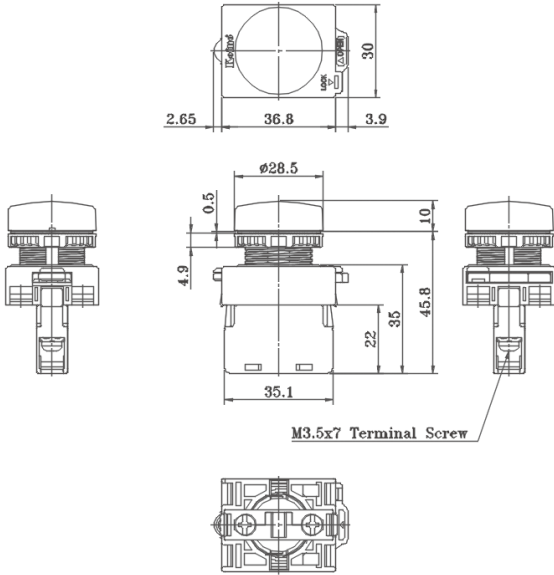
Legend



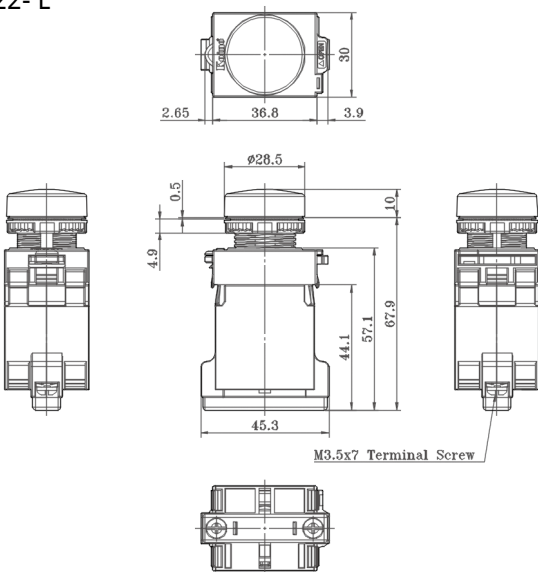
Contact block Lamp module
(A, B)

Dimensions

Pilot lamp (Full voltage)
NS22- L



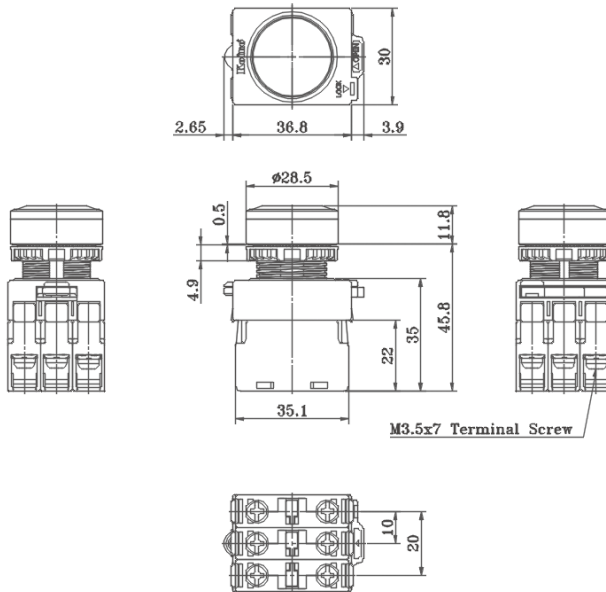
Pilot lamp (Transformer)
NS22- L



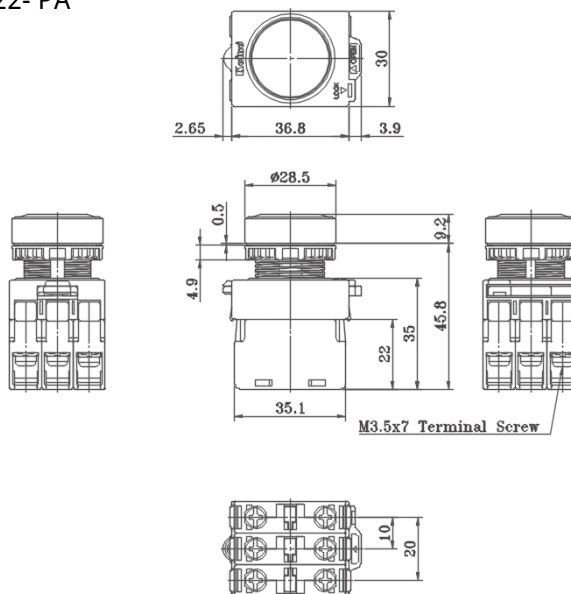
- CONTROL COMPONENTS
- MICRO SWITCH
- FOOT SWITCH
- LIMIT SWITCH
- POWER SWITCH
- HOIST SWITCH
- CAM SWITCH

Dimensions

Illuminated push button (Momentary, Alternate)
NS 22- BM, NS 22- BA

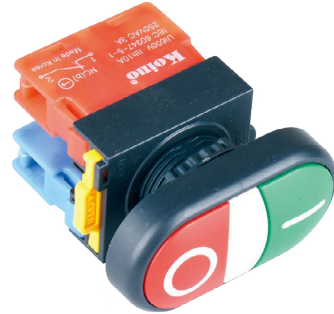
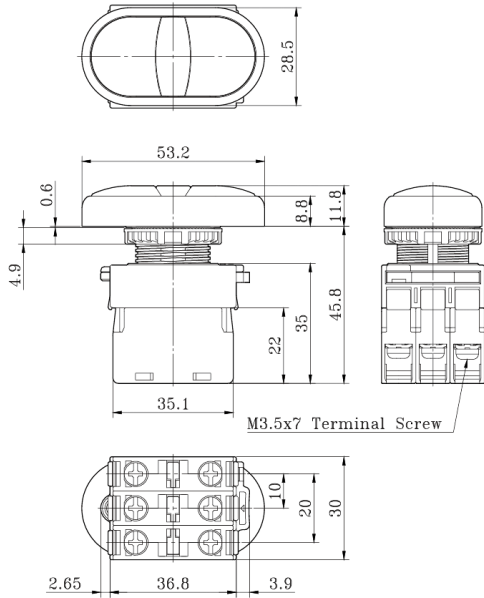


Push button (Momentary, Alternate)
NS 22- PM, NS 22- PA

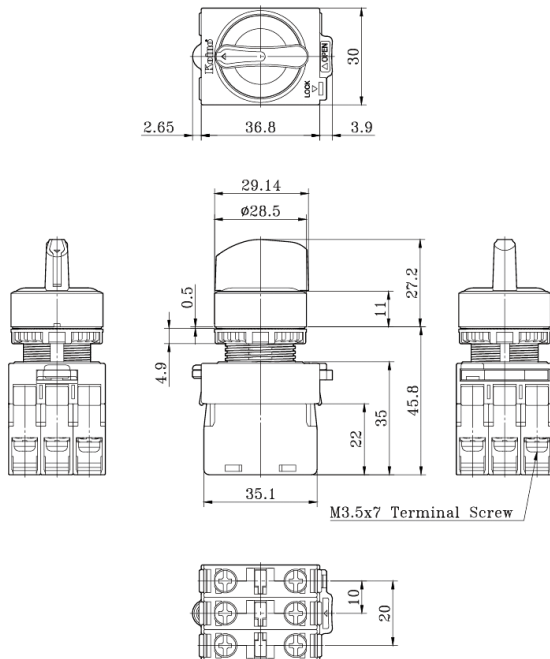


Dimensions

Double push button
NS 22- DM



Short knob illuminated selector
NS 22- S



CONTROL COMPONENTS

MICRO SWITCH

FOOT SWITCH

LIMIT SWITCH

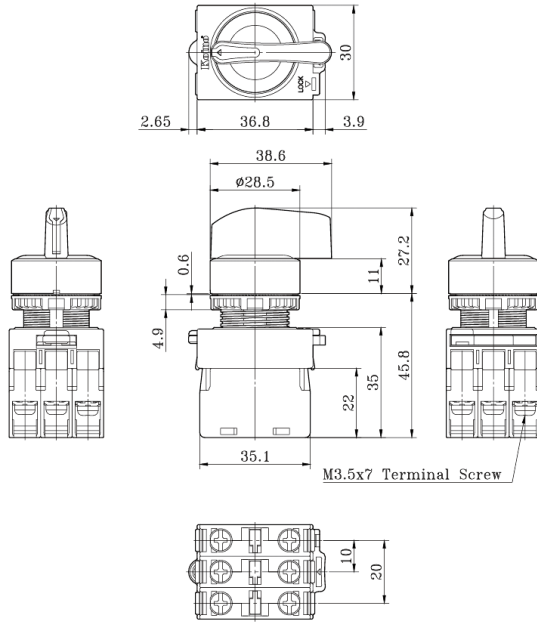
POWER SWITCH

HOIST SWITCH

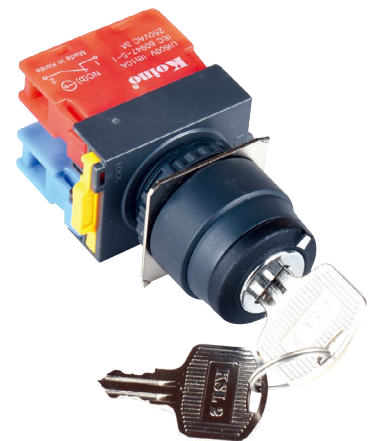
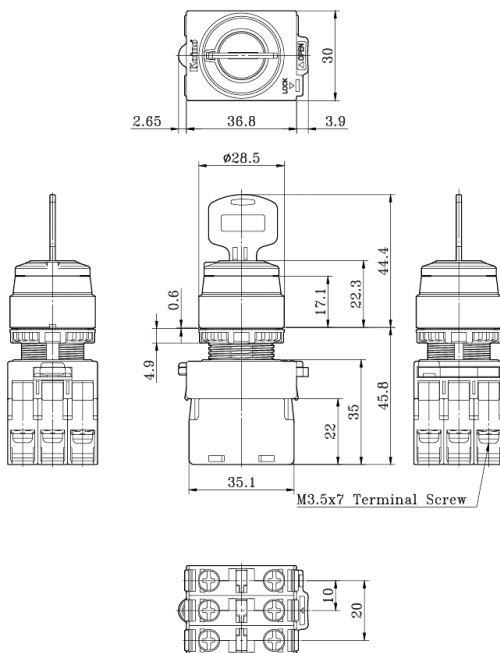
CAM SWITCH

Dimensions

Long knob selector
NS22- SL

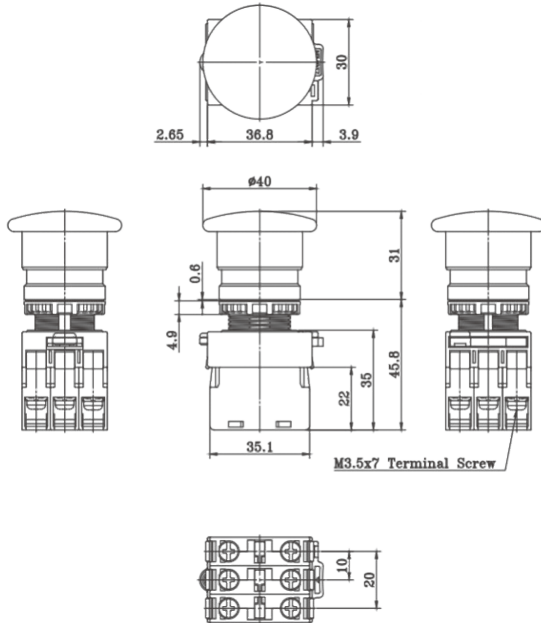


Key selector
NS22- K

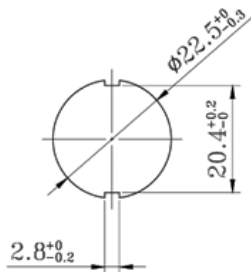


Dimensions

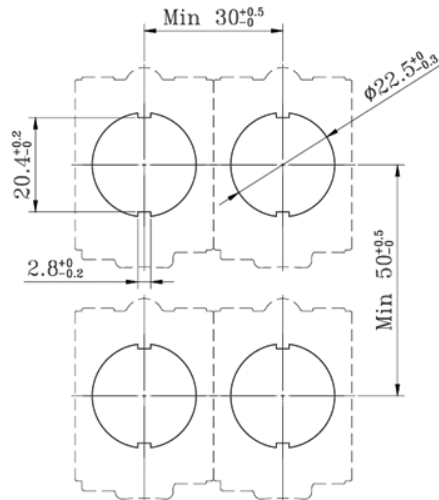
Mushroom push button
NS22- PEM



Panel cut- out



Panel mounting guide



CONTROL COMPONENTS

MICRO SWITCH

FOOT SWITCH

LIMIT SWITCH

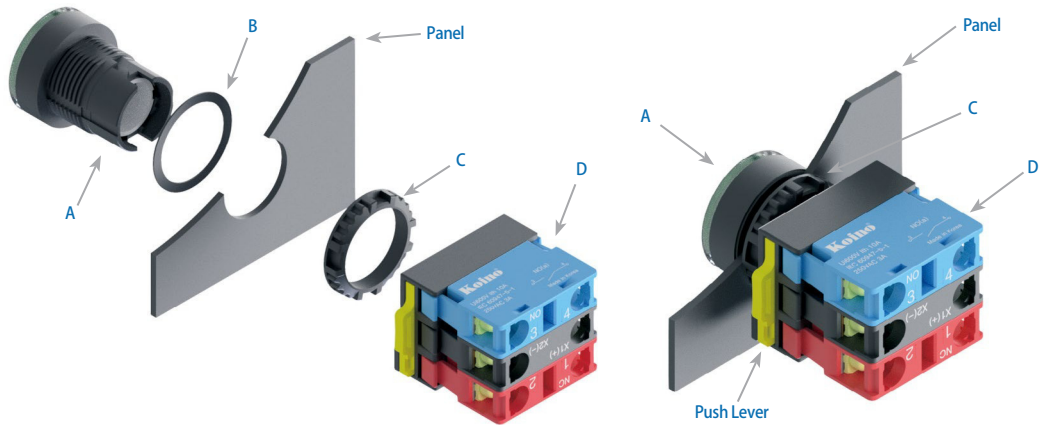
POWER SWITCH

HOIST SWITCH

CAM SWITCH

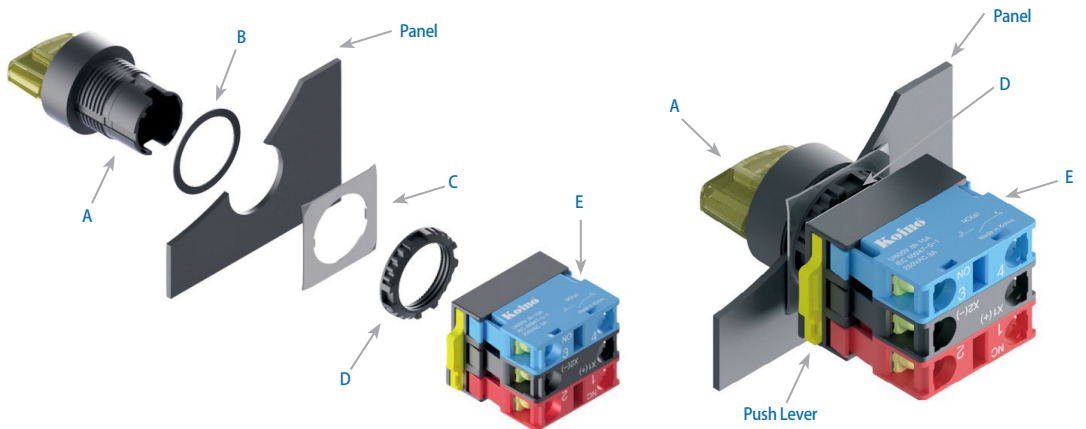
Assembly sample

Normal



- ① Push A+B into the panel
- ② Fasten with C
- ③ Place D into the groove of A
- ④ Push until it clicks
- ⑤ Separate D pushing " Push lever"

Selector



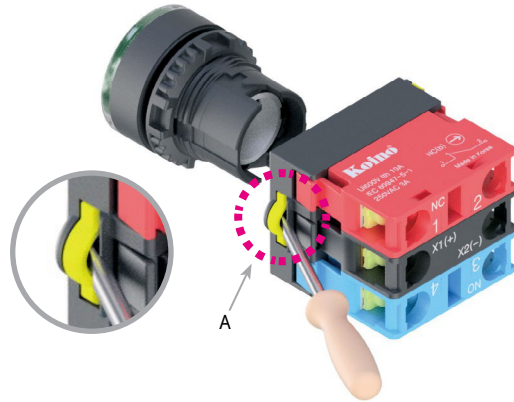
- ① Push A+B into the panel
- ② Fasten with C & D
- ③ Place E into the groove of A
- ④ Push until it clicks
- ⑤ Separate E pushing " Push lever"

Assembly sample

Actuator

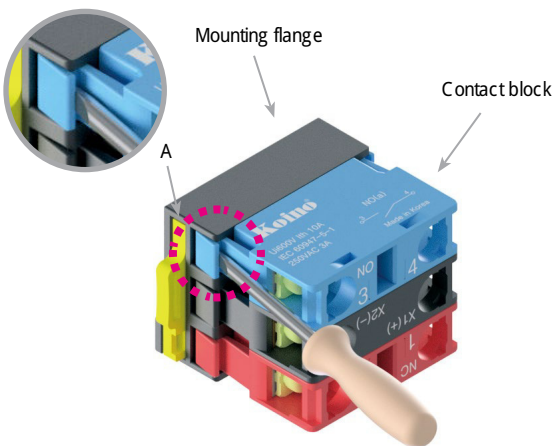


1. Using push lever



2. Pull " A "

Contact block



Using slotted screw driver (<1mm)



Push and turn the lamp to counterclockwise direction

CONTROL COMPONENTS

MICRO SWITCH

FOOT SWITCH


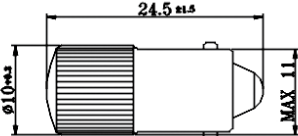

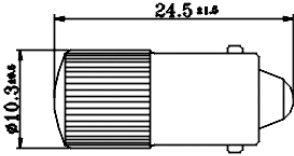
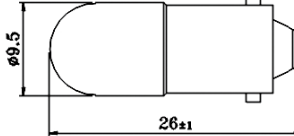
LIMIT SWITCH

POWER SWITCH

HOIST SWITCH

CAM SWITCH

Bulb

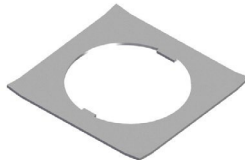
Shape	Type		Dimension	
	LED bulb	Red- AC voltage available	 24.5 mm 10 mm MAX 11 mm BA 9S BASE	
		6V DC		Green
				Yellow
				Blue
				White
				Orange
		12V DC		Red
				Green
				Yellow
				Blue
	White			
	24V DC	Orange		
		Red		
		Green		
		Yellow		
		Blue		
		110V AC/DC	White	 24.5 mm 10.3 mm MAX 11 mm BA 9S BASE
			Orange	
			Yellow	
			Green	
Red				
220V AC/DC		Orange		
		White		
		Blue		
		Yellow		
		Green		
Filament bulb	6.3V 1W	 26 mm 9.5 mm BA 9S BASE		
	12V 1W			
	24V 1W			

Accessories

Fastening tool



Anti-rotation ring



Fasten ring



Name plate



Support block



NS22-D boots Seal



LED
(BA9S Base)



Filament bulb
(BA9S Base)



Contact cover



Contact block clip



CONTROL COMPONENTS

MICRO SWITCH

FOOT SWITCH

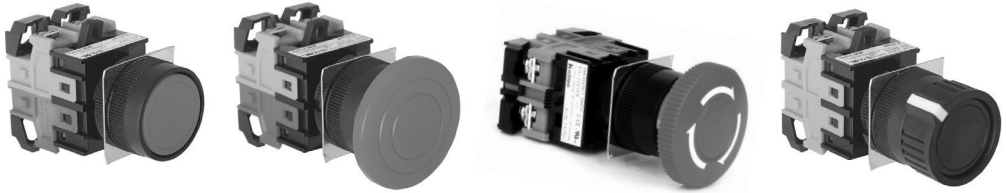
LIMIT SWITCH

POWER SWITCH

HOIST SWITCH

CAM SWITCH

PUSHBUTTON SWITCH KH-2201 Series

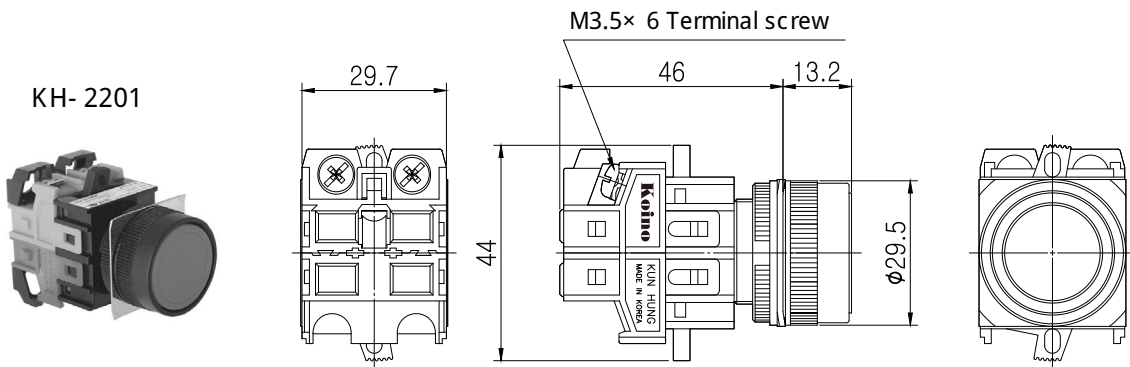


CLASSIFICATION

KH- 2201 AT - 1 1 R
 ① ② ③ ④

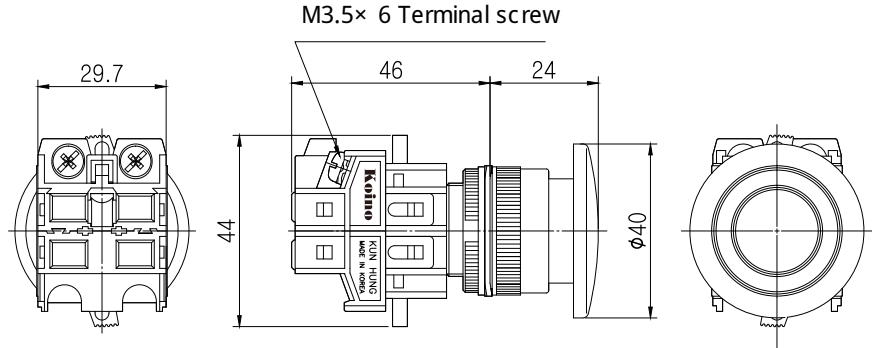
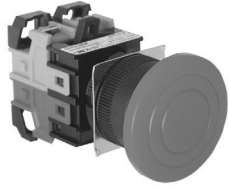
① ACTUATOR	NONE	MOMENTARY
	AT	MAINTAINED
	EB	MUSHROOM SHAPE
	ER	EMERGENCY STOP
	S	SELECTABLE PUSHBUTTON
② CONTACT	NUMBER OF NO CONTACT	
③ CONTACT	NUMBER OF NC CONTACT	
④ COLOR	R	RED
	G	GREEN
	Y	YELLOW
	B	BLUE
	MW	MILKY WHITE
	W	WHITE
	BK	BLACK

Dimensions



Dimensions

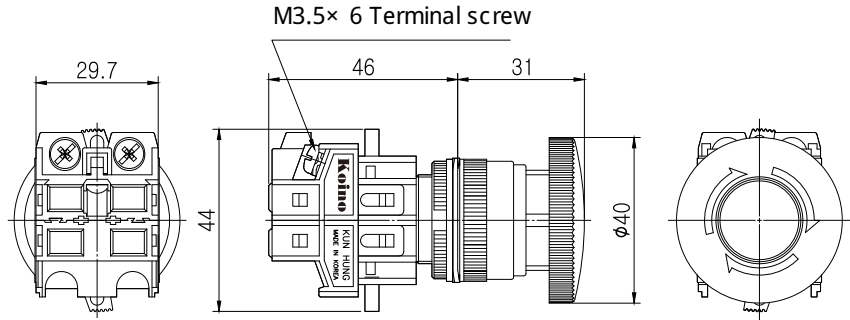
KH- 2201EB



CONTROL COMPONENTS

MICRO SWITCH

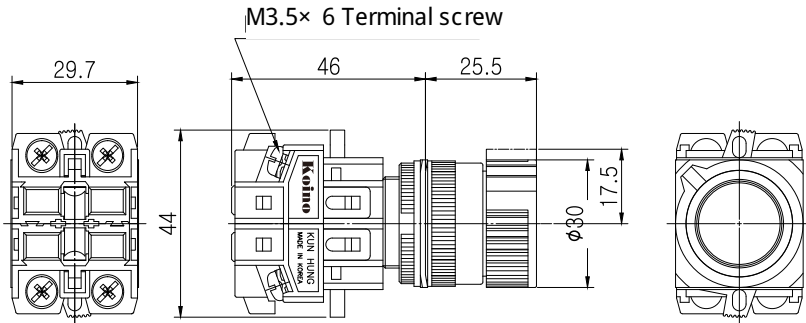
KH- 2201ER



FOOT SWITCH

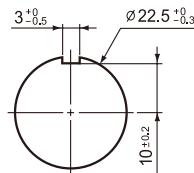
LIMIT SWITCH

KH- 2201S



POWER SWITCH

HOIST SWITCH



Panel Cut

CAM SWITCH

Specification

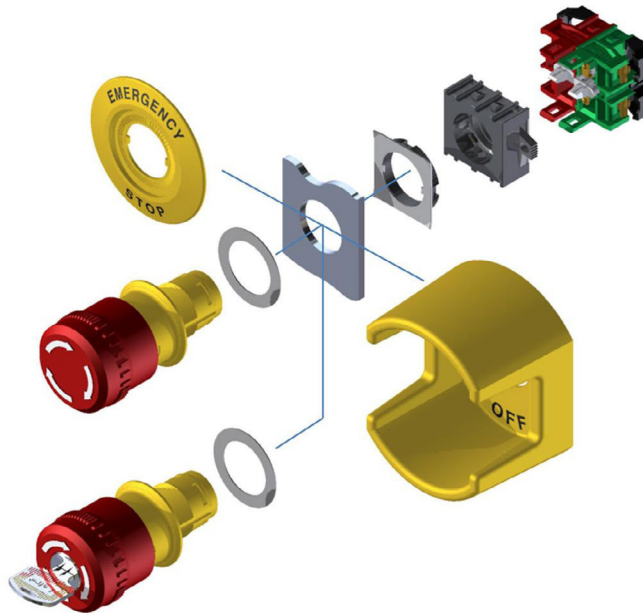
Switching System	The switching element of KH- 2201 is equipped with normally open contact and normally closed contact. 1A, 1B, 2A, 2B 1A1B, 2A2B 3A1B and 1A3B contacts are available. Normally 4 contact blocks can be assembled					
Material	Contact	Silver alloy + Copper	Housing	BODY: Nylon glass CONTACT HOUSING: Nylon glass	Buttons	Acetal
Mechanical Lifetime	Momentary and maintained : 1,000,000 Cycles of operation EB, ER and S type: 100,000 Cycles of operation					
Standards	This product comply with “ Standards for low- voltage switching devices” EN IEC 60947- 5- 1					
Contact Ratings	125VAC 10A, 250VAC 6A (resistive load)					
Insulation Resistance	Minimum 100MΩ (500VDC)					
Contact Resistance	Maximum 30mΩ					
Electrical Lifetime	100,000 cycles of operation					
Dielectric Strength	Between Live Parts: 1,500VAC(50/60Hz) for 1 minute Between Live and Dead Parts: 1,500VAC(50/60Hz) for 1 minute					
Operational Temperature	- 15° C □+50° C					
Operational Humidity	45 □85%RH					
Protection Degree	IP56 ER and S type: IP50					
Shock Resistance	Approximately 50G					
Vibration Resistance	10 □55Hz double amplitude 1.5mm (at X, Y and Z axis)					
Approbations	UL, CCC, KC					
Declaration of Conformity	CE					

KEPB22ER

Mounting cut- out : $\varnothing 22.5\text{mm}$
 Front dimension : $\varnothing 36\text{mm}$
 Marking: Arrows
 Weight: 70g
 IP- Rating : IP65
 Switching action : Maintained
 Function : Emergency STOP Switch
 Twist to unlock clockwise



Assembly



CONTROL COMPONENTS

MICRO SWITCH

FOOT SWITCH

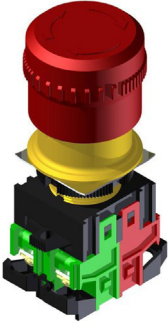
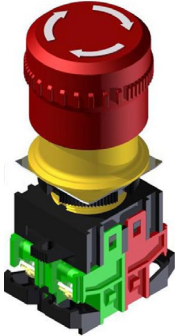
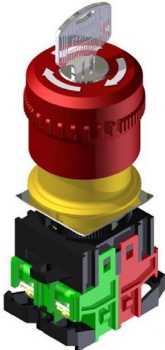
LIMIT SWITCH

POWER SWITCH

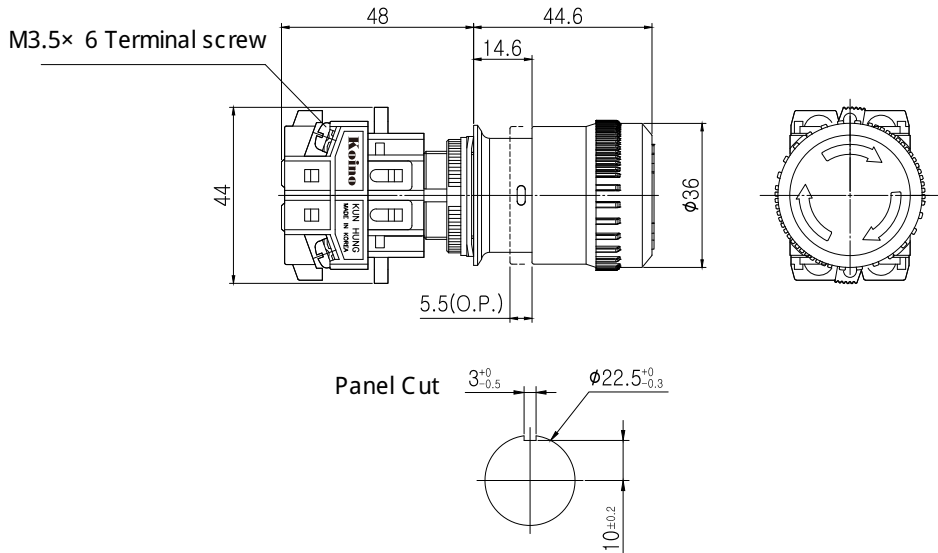
HOIST SWITCH

CAM SWITCH

Selection Guide

MODEL NUMBER	APPEARANCE	FEATURE
KEPB22ER- 11		
KEPB22ERS- 11		White arrows
KEPB22ERK- 11		Rebound by key

Dimensions



Specification

Switching System	The switching element of KEPB22ER, KEPB22ERS and KEPB22ERK is equipped with normally open contact or normally closed contact. The normally closed contact has direct opening or forced opening structure.			
Material	Contact	Silver alloy + Copper	Housing	Nylon
Mechanical Lifetime	300,000 Cycles of operation			
Terminals	Screw Terminals Maximum wire cross section : 2.5 mm ² Tightening torque : 25–30 Ncm			
Standards	This product comply with " Standards for low- voltage switching devices" EN IEC 60947- 5- 1			
Contact Ratings	125VAC 10A, 250VAC 6A (resistive load)			
Insulation Resistance	Minimum 100MΩ (500VDC)			
Contact Resistance	Maximum 30mΩ			
Electrical Lifetime	100,000 cycles of operation			
Operational Temperature	- 15° C □ + 50° C			
Protection Degree	IP65			
Shock Resistance	Approximately 100G(1,000m/s ²)			
Vibration Resistance	10 □ 55Hz double amplitude 1.5mm (at X, Y and Z axis)			
Approbations	UL			
Declaration of Conformity	CE			

Accessories

LP22- 1



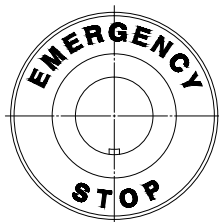
LP22- 2



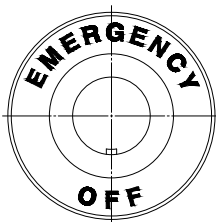
SC- 22



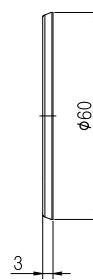
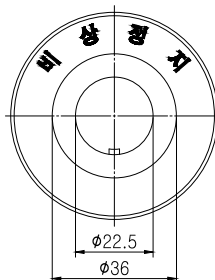
LP22-1



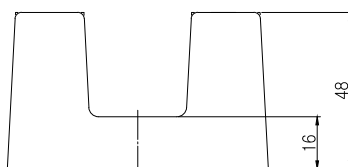
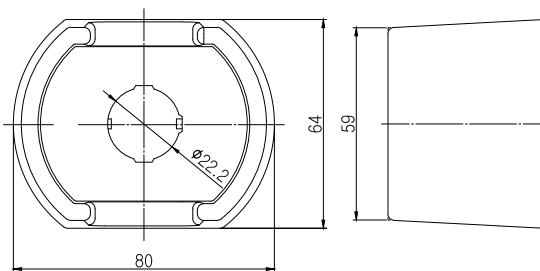
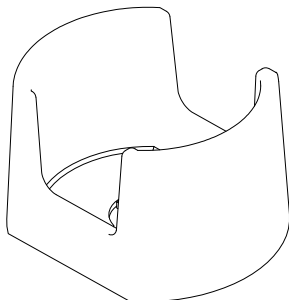
LP22-2



LP22-3



SC-22



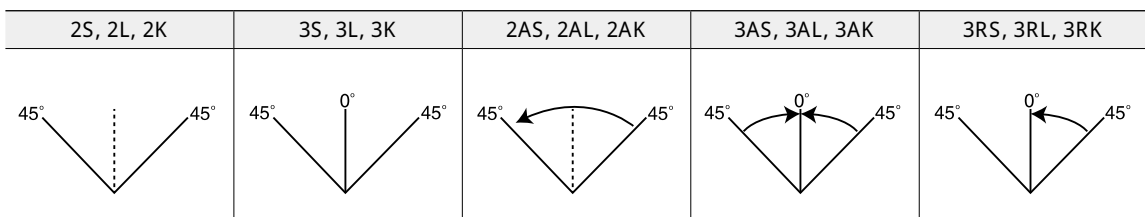
SELECTOR SWITCH KH-2202 Series



CLASSIFICATION

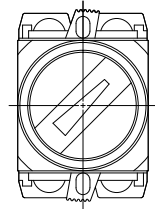
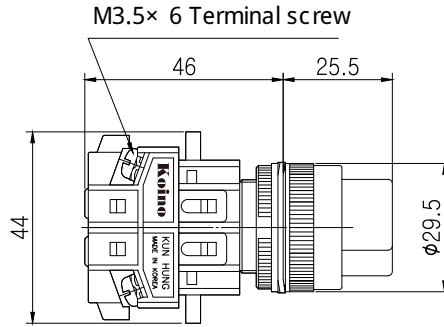
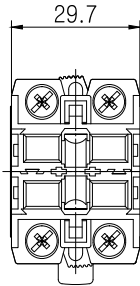
KH-2202- 2S - 1 1
① ② ③

① ACTUATOR	2S	2 STEP MAINTAINED / SHORT LEVER
	3S	3 STEP MAINTAINED / SHORT LEVER
	2L	2 STEP MAINTAINED / LONG LEVER
	3L	3 STEP MAINTAINED / LONG LEVER
	2AS	2 STEP SPRING RETURN / SHORT LEVER
	3AS	3 STEP SPRING RETURN / SHORT LEVER
	3RS	3 STEP/LEFT: MAINTAINED, RIGHT: SPRING RETURN/SHORT LEVER
	2AL	2 STEP SPRING RETURN / LONG LEVER
	3AL	3 STEP SPRING RETURN / LONG LEVER
	3RL	3 STEP/LEFT: MAINTAINED, RIGHT: SPRING RETURN/LONG LEVER
	2K	2 STEP MAINTAINED / KEY SWITCH
	3K	3 STEP MAINTAINED / KEY SWITCH
	2AK	2 STEP SPRING RETURN / KEY SWITCH
	3AK	3 STEP SPRING RETURN / KEY SWITCH
3RK	3 STEP/LEFT: MAINTAINED, RIGHT: SPRING RETURN/KEY SWITCH	
② CONTACT	NUMBER OF NO CONTACT	
③ CONTACT	NUMBER OF NC CONTACT	

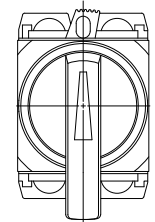
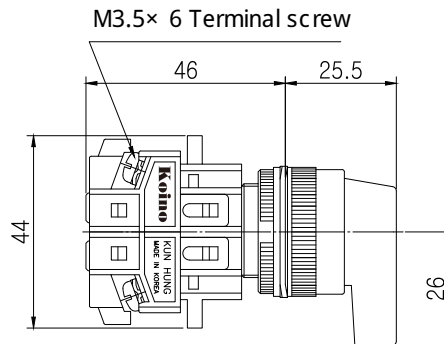
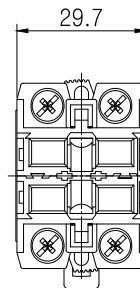


Dimensions

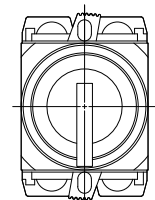
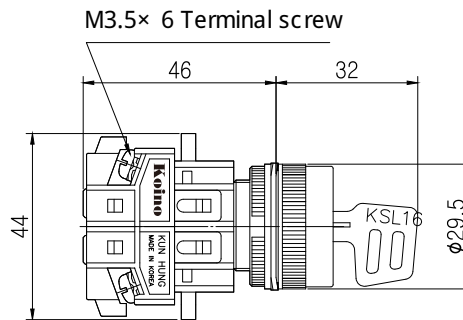
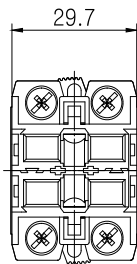
KH- 2202- 2S,2AS
KH- 2202- 3S,3AS,3RS



KH- 2202- 2L,2AL
KH- 2202- 3L,3AL,3RL



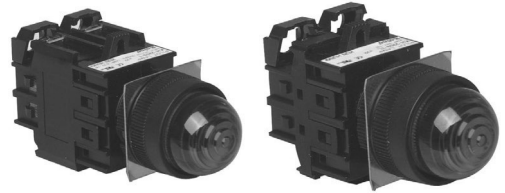
KH- 2202- 2K,2AK
KH- 2202- 3K,3AK,3RK



Specification

Switching System	The switching element of KH- 2201 is equipped with normally open contact and normally closed contact. 1A, 1B, 2A, 2B 1A1B, 2A2B 3A1B and 1A3B contacts are available. Normally 4 contact blocks can be assembled					
Material	Contact	Silver alloy + Copper	Housing	BODY: Nylon glass CONTACT HOUSING: Nylon glass	Knobs	Acetal
Mechanical Lifetime	100,000 Cycles of operation					
Standards	This product comply with “ Standards for low- voltage switching devices” EN IEC 60947- 5- 1					
Contact Ratings	125VAC 10A, 250VAC 6A (resistive load)					
Insulation Resistance	Minimum 100MΩ (500VDC)					
Contact Resistance	Maximum 30mΩ					
Electrical Lifetime	100,000 cycles of operation					
Dielectric Strength	Between Live Parts: 1,500VAC(50/60Hz) for 1 minute Between Live and Dead Parts: 1,500VAC(50/60Hz) for 1 minute					
Operational Temperature	- 15° C □+ 50° C					
Operational Humidity	45 □85%RH					
Protection Degree	IP50					
Shock Resistance	Approximately 50G					
Vibration Resistance	10 □5Hz double amplitude 1.5mm (at X, Y and Z axis)					
Approbations	UL, CCC, KC					
Declaration of Conformity	CE					

PILOT LAMP KH-2203 Series



CLASSIFICATION

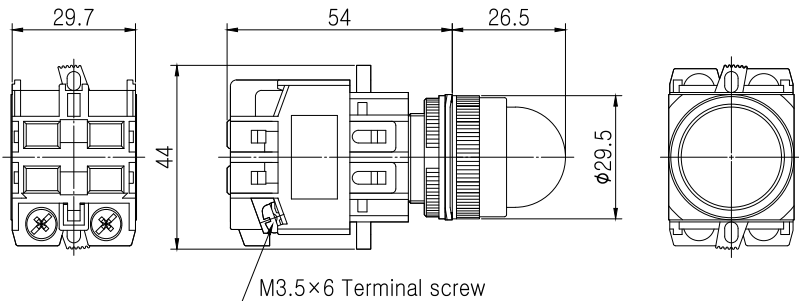
KH- 2203 - 1 R (R)
① ② ③

① LAMP	NONE	FILAMENT LAMP
	L	LED LAMP
② INPUT VOLTAGE	1	110VAC 50/60 Hz
	2	220VAC 50/60 Hz
	3	230VAC 50/60 Hz
	TL	6, 12, 24 AC/DC
③ COLOR	R	RED
	G	GREEN
	Y	YELLOW
	O	ORANGE
	W	WHITE
	B	BLUE

Dimensions

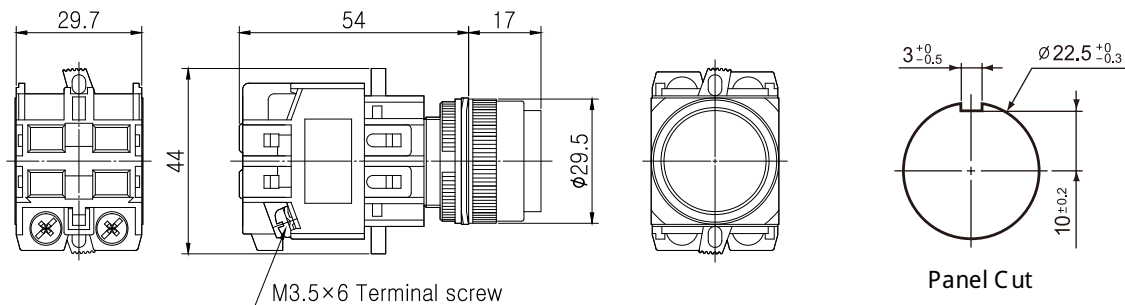
- KH- 2203- 1
- KH- 2203- 2
- KH- 2203- 3
- KH- 2203L- 1
- KH- 2203L- 2
- KH- 2203L- 3

KH- 2203(R Cap)- Model

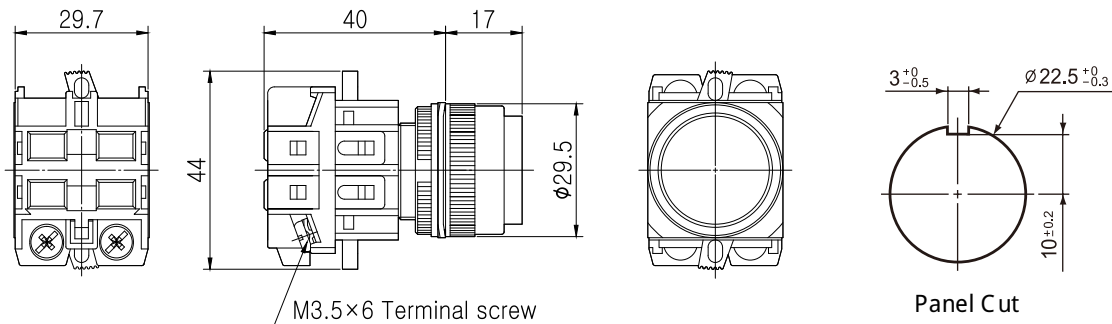
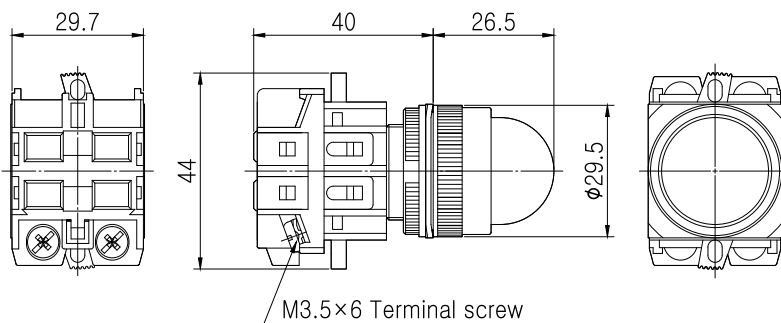


Dimensions

KH- 2203(F Cap)- Model



KH- 2203- TL
KH- 2203L- TL



CONTROL COMPONENTS

MICRO SWITCH

FOOT SWITCH

LIMIT SWITCH

POWER SWITCH

HOIST SWITCH

CAM SWITCH

Specification

Material	Contact	Silver alloy + Copper	Housing	BODY: Nylon glass	Ring	Nylon glass	Cap	AS
Standards	This product comply with " Standards for low- voltage switching devices" EN IEC 60947- 5- 1							
Insulation Resistance	Minimum 100MΩ (500VDC)							
Contact Resistance	Maximum 30mΩ							
Dielectric Strength	Between Live Parts: 1,500VAC(50/60Hz) for 1 minute Between Live and Dead Parts: 1,500VAC(50/60Hz) for 1 minute							
Operational Temperature	- 15° C □+50° C							
Operational Humidity	45 □85%RH							
Protection Degree	IP56							
Shock Resistance	Approximately 50G							
Vibration Resistance	10 □5Hz double amplitude 1.5mm (at X, Y and Z axis)							
Approbations	UL, CCC, KC							
Declaration of Conformity	CE							

ILLUMINATED PUSHBUTTON SWITCH KH-2204 Series



CLASSIFICATION

KH- 2204 P - $\frac{1}{1}$ $\frac{1}{2}$ $\frac{1}{3}$ $\frac{1}{4}$ $\frac{1}{5}$ R

① LAMP	NONE	FILAMENT LAMP
	L	LED LAMP
② ACTUATOR	NONE	MOMENTARY
	AT	MAINTAINED
	P	MOMENTARY/PROTECTIVE RING
	AP	MAUINTAINED/PROTECTIVE RING
	EB	MOMENTARY/MUSHROOM HEAD
	ER	MAINTAINED/TURN- TO- RESET/MUSHROOM HEAD
③ INPUT VOLTAGE	1	110VAC 50/60Hz
	2	220VAC 50/60Hz
	3	230VAC 50/60Hz
	TL	6, 12, 24 AC/DC
④ CONTACT	NUMBER OF NO CONTACT	
⑤ CONTACT	NUMBER OF NC CONTACT	
⑥ COLOR	R	RED
	G	GREEN
	Y	YELLOW
	B	BLUE
	MW	MILKY WHITE
	W	WHITE
	BK	BLACK

CONTROL COMPONENTS

MICRO SWITCH

FOOT SWITCH

LIMIT SWITCH

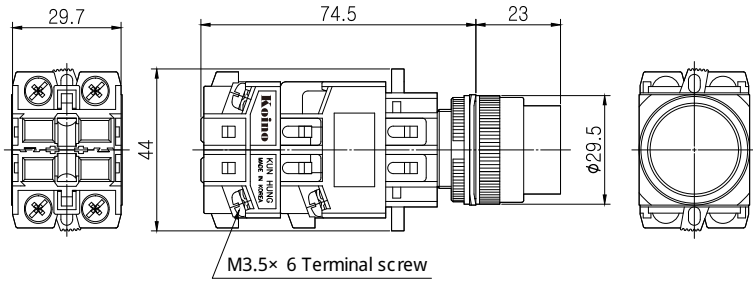
POWER SWITCH

HOIST SWITCH

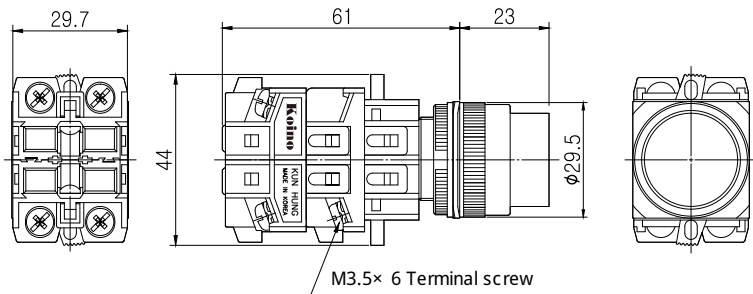
CAM SWITCH

Dimensions

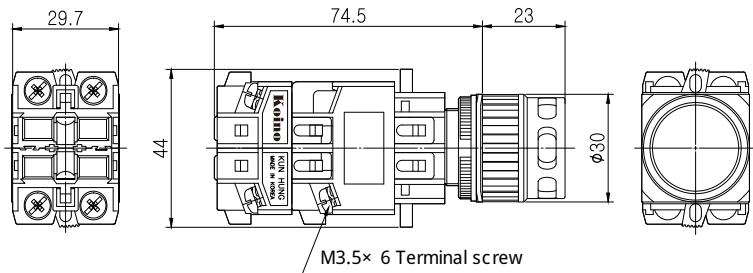
KH- 2204



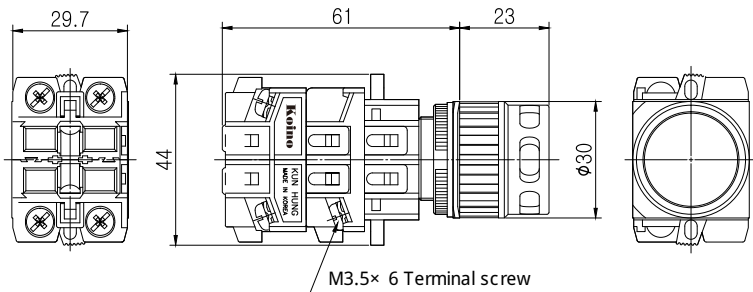
KH- 2204- TL



KH- 2204P

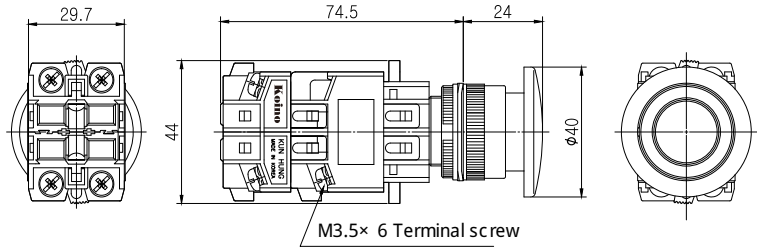


KH- 2204P- TL

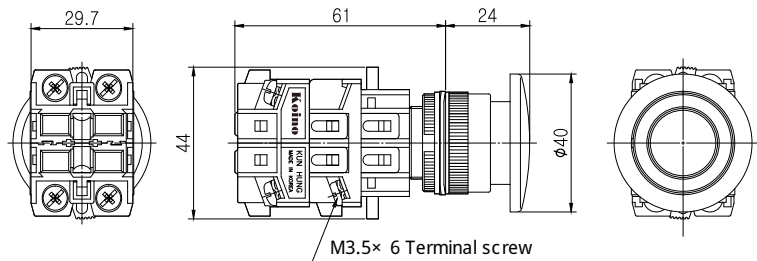


Dimensions

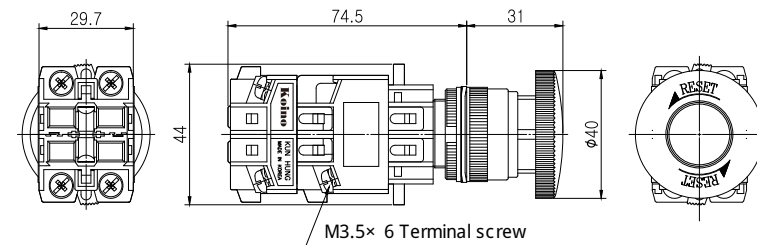
KH- 2204EB



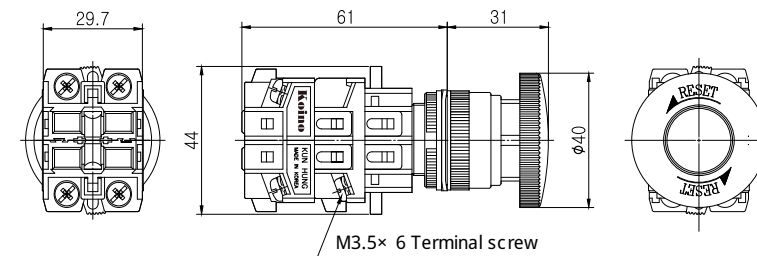
KH- 2204EB- TL



KH- 2204ER



KH- 2204ER- TL



CONTROL COMPONENTS

MICRO SWITCH

FOOT SWITCH

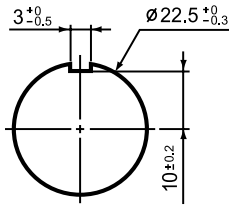
LIMIT SWITCH

POWER SWITCH

HOIST SWITCH

CAM SWITCH

Dimensions



Panel Cut

Specification

Switching System	The switching element of KH- 2201 is equipped with normally open contact and normally closed contact. 1A, 1B, 2A, 2B 1A1B, 2A2B 3A1B and 1A3B contacts are available. Normally 4 contact blocks can be assembled					
Material	Contact	Silver alloy + Copper	Housing	BODY: Nylon glass CONTACT HOUSING: Nylon glass	Buttons	Acetal
Mechanical Lifetime	Momentary and maintained : 1,000,000 Cycles of operation EB and ER type: 100,000 Cycles of operation					
Standards	This product comply with " Standards for low- voltage switching devices" EN IEC 60947- 5- 1					
Contact Ratings	125VAC 10A, 250VAC 6A (resistive load)					
Insulation Resistance	Minimum 100MΩ (500VDC)					
Contact Resistance	Maximum 30mΩ					
Electrical Lifetime	100,000 cycles of operation					
Dielectric Strength	Between Live Parts: 1,500VAC(50/60Hz) for 1 minute Between Live and Dead Parts: 1,500VAC(50/60Hz) for 1 minute					
Operational Temperature	- 15°C □+50°C					
Operational Humidity	45 □85%RH					
Protection Degree	IP56 ER and S type: IP50					
Shock Resistance	Approximately 50G					
Vibration Resistance	10 □5Hz double amplitude 1.5mm (at X, Y and Z axis)					
Approbations	UL, CCC, KC					
Declaration of Conformity	CE					

NF22 Series

OVERVIEW

Mounting cut-out: Ø22mm

FLUSH MOUNTING TYPE



CLASSIFICATION

NF22 - L M 1C R 1
 ① ② ③ ④ ⑤

① CATEGORY	L	PILOT LAMP	
	P	PUSHBUTTON SWITCH	
	B	ILLUMINATED PUSHBUTTON SWITCH	
	S	SELECTOR SWITCH	
	K	KEY SWITCH	
② ACTUATOR	M	MOMENTARY	FOR PUSH BUTTON SWITCH
	A	MAITAINED	
	2	2 STEP MAITAINED	FOR SELECTOR & KEY SWITCH
	3	3 STEP MAITAINED	
	A2	2 STEP SPRING RETURN	
	A3	3 STEP SPRING RETURN	
③ INPUTVOLTAGE	1C	6V	
	2C	12V	
	3C	24V	
④ COLOR	R	RED	
	G	GREEN	
	Y	YELLOW	
	W	WHITE	
	B	BLUE	
	O	ORANGE	
⑤ CONTACTS	1	1C	
	2	2C	

CONTROL COMPONENTS

MICRO SWITCH

FOOT SWITCH

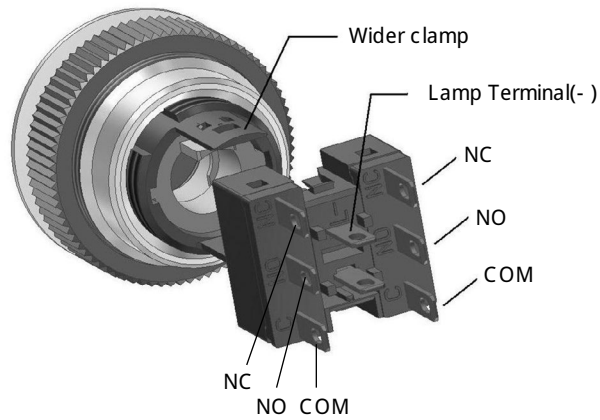
LIMIT SWITCH

POWER SWITCH

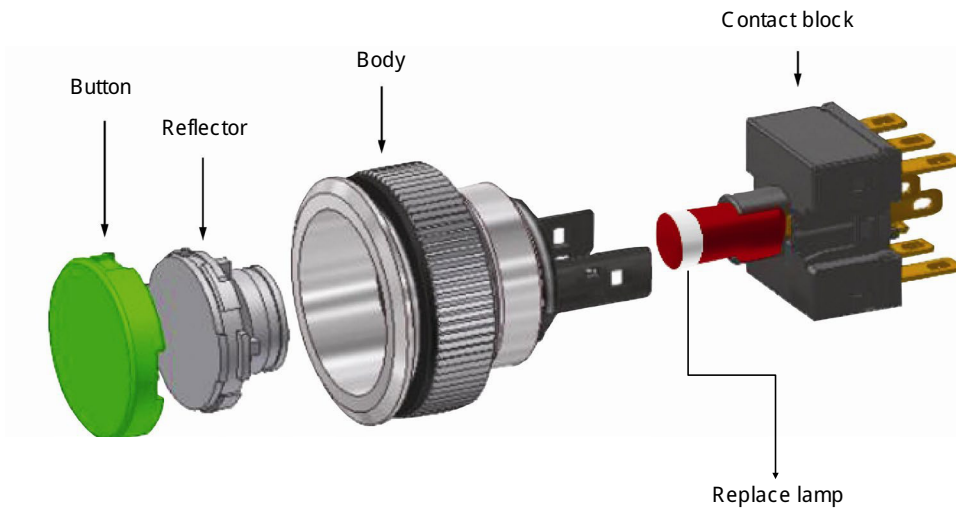
HOIST SWITCH

CAM SWITCH

Terminals



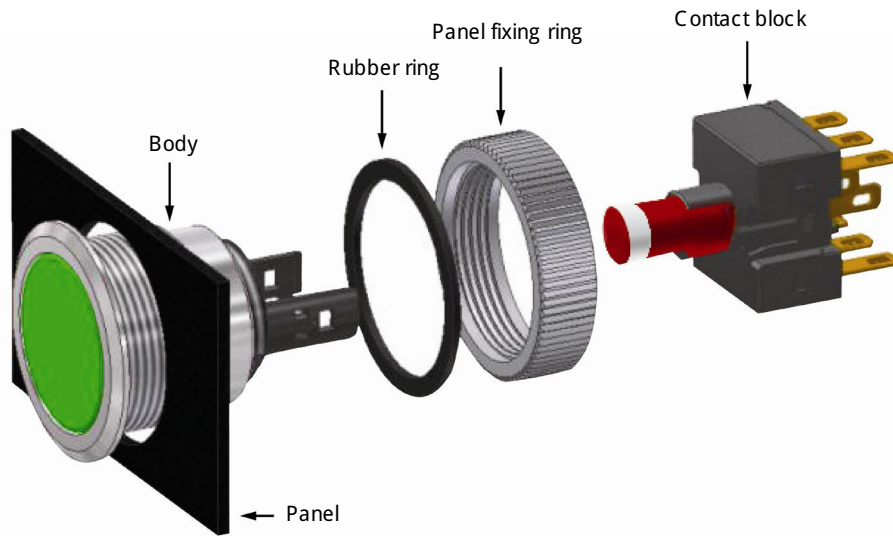
How to replace lamp



1. Widen the clamps which binds to contact block.
2. Detach contact block.
3. Detach lamp from contact block

*Button can be detached by pushing button with shallow instrument like screw driver.

Installation



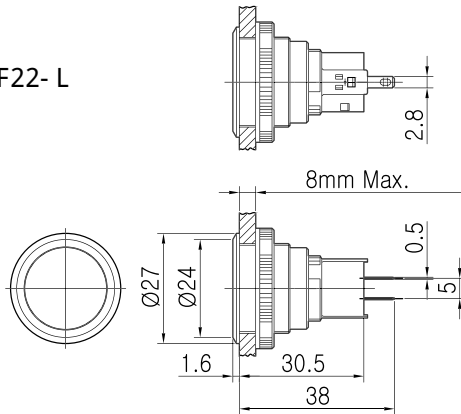
CONTROL COMPONENTS

MICRO SWITCH

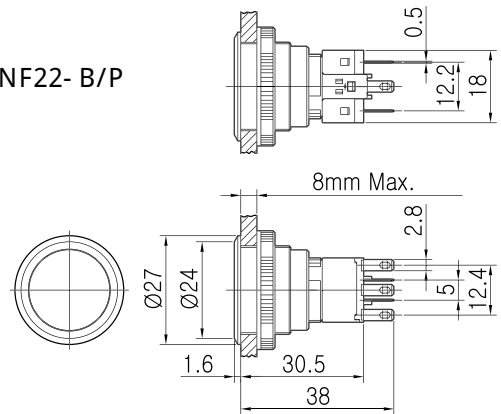
FOOT SWITCH

Dimensions

NF22- L



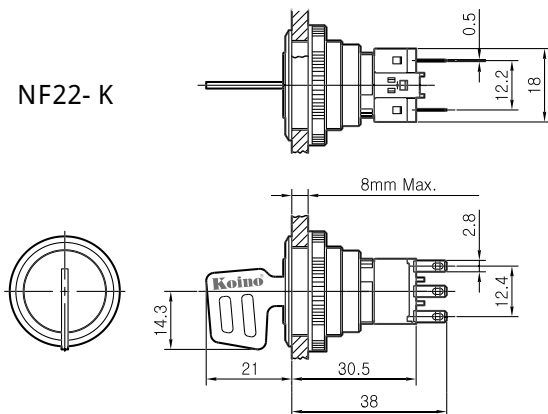
NF22- B/P



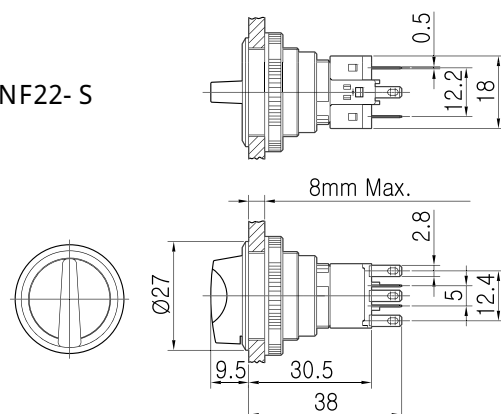
LIMIT SWITCH

POWER SWITCH

NF22- K



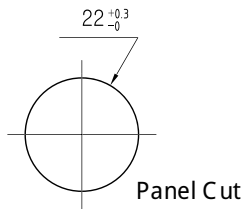
NF22- S



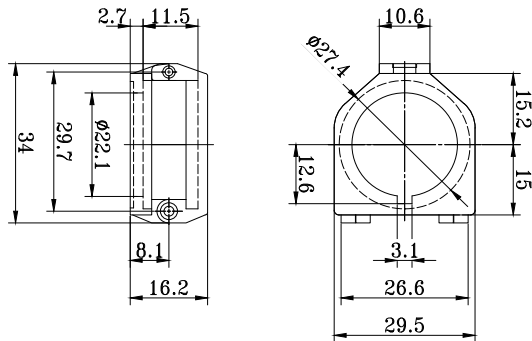
HOIST SWITCH

CAM SWITCH

Dimensions



SAFETY COVER



Specification

Switching System	The switching element of NF22 SERIES is equipped with normally open contact or normally closed contact.					
Material	Contact	Silver alloy + Copper	Contact Housing	Nylon	Body	Aluminum
Mechanical Lifetime	PUSHBUTTON (momentary): 1,000,000 Cycles of operation PUSHBUTTON (maintained): 200,000 Cycles of operation SELECTOR: 100,000 Cycles of operation					
Standards	This product comply with " Standards for low- voltage switching devices" EN IEC 60947- 5- 1					
Contact Ratings	250VAC 3A (resistive load)					
Insulation Resistance	Minimum 100M Ω (500VDC)					
Contact Resistance	Maximum 30m Ω					
Electrical Lifetime	100,000 cycles of operation					
Operational Temperature	- 25° C □+ 55° C					
Protection Degree	IP40					
Shock Resistance	Approximately 10G					
Vibration Resistance	10 □55Hz double amplitude 1.5mm (at X, Y and Z axis) for 1 hour					
Approbations	UL					
Declaration of Conformity	CE					