

# PART3

## BUZZER

---

KH-4016 Series

NF22U Series

KH-4022, 4025, 4030 Series

KH-401 Series






KH-402, KH-4025 Series

KH-403 Series

KH-4065 Series






# BUZZERS

## SMALL BUZZERS


Model	Model	Diameter	Shape	Mounting	dB(distance 1m)
	KH - 4016	Ø16	Round	Surface mounting	65dB
	KH - 4016S		Square	Surface mounting	
	KH - 4016R		Rectangular	Surface mounting	
	NF22U	Ø22	Round	Surface mounting	90dB
	KH - 4022		Round	Flush mounting	65dB
	KH - 4025	Ø25	Round	Surface mounting	90dB
	KH - 4030	Ø30	Round	Surface mounting	90dB

# BUZZERS

## Built-In Buzzer For Machines

Model	Model	Diameter	Shape	Mounting	dB(distance 1m)
	KH - 401 - 1 KH - 401 - 2	Ø42	Round	Inner mounting	65dB
	KH - 4025 - 1 KH - 4025 - 2	Ø25	Round	Surface mounting	65dB
	KH - 402 - 1 KH - 402 - 2	Ø30			
	KH - 403	Ø66	Square	Surface mounting	85dB
	KH - 403C			Surface mounting	

## SIGNAL PHONE

Model	Model	Diameter	Shape	Mounting	dB(distance 1m)
	KH - 4065	Ø65	Square	Surface mounting	105dB

SQUARE  
LIGHT

TOWER  
LIGHT

BUZZER

TIMER &  
COUNTER

RELAY

SOCKETS

TERMINAL  
BLOCKS

CONTROL  
BOX

## KH-4016 Series



### CLASSIFICATION

KH - 4016 - D S

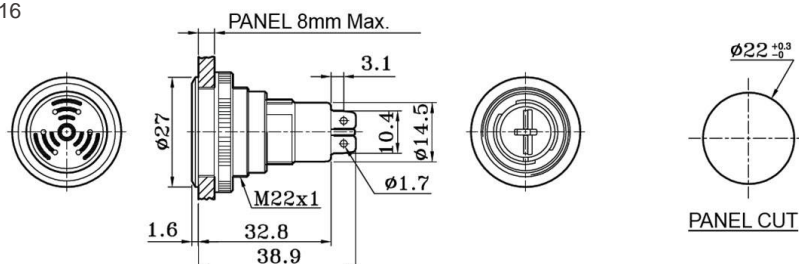
Sound	D	Direct
	F	Flicker
	none	Dual
Shape	none	Round
	S	Square
	R	Rectangular

### Specification

Input Voltage	12~24VDC(± 10%)
Current consumption	Max. 25mA
dB	min. 65dB (distance 1m)
Insulation resistance	100M (500VDC)
Dielectric strength	1,000 VAC between live part and dead part
Vibration resistance	10~55Hz double amplitude 0.5mm at X, Y, and Z axis for 1 hour
Shock resistance	20G
Protection	IP40
Ambient operating Temperature	- 10 ~ +55
Ambient temperature (stock)	- 25 ~ +70
Ambient humidity	45~85%RH
Material	Buzzer part: Nylon, Body: PC
Weight	10g

### Dimension

KH-4016



## NF22U Series

Illuminated type available



### CLASSIFICATION

NF 22 U

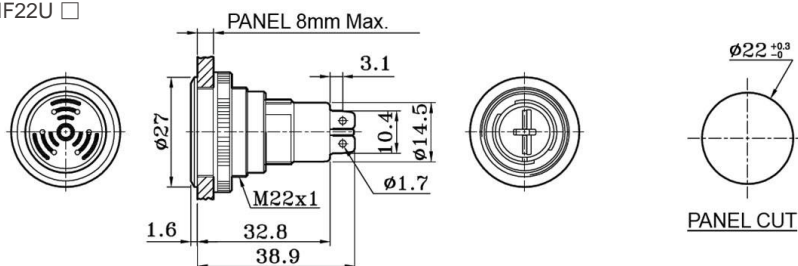
Sound	D	Direct
	F	Flicker
	none	Dual

### Specification

Input Voltage	12~24VDC (± 10%)
Current consumption	Max. 25mA
dB	min. 65dB (distance 1m)
Insulation resistance	100M (500VDC)
Dielectric strength	1,000 VAC between live part and dead part
Vibration resistance	10~55Hz double amplitude 0.5mm at X, Y, and Z axis for 1 hour
Shock resistance	20G
Protection	IP40
Ambient operating Temperature	- 10 ~+55
Ambient temperature (stock)	- 25 ~+70
Ambient humidity	45~85%RH
Material	Buzzer part: Nylon, Body: PC, guard: aluminum
Weight	22g

### Dimension

NF22U



SQUARE LIGHT

TOWER LIGHT

BUZZER

TIMER & COUNTER

RELAY

SOCKETS

TERMINAL BLOCKS

CONTROL BOX

## KH-4022, 4025, 4030 Series



### CLASSIFICATION

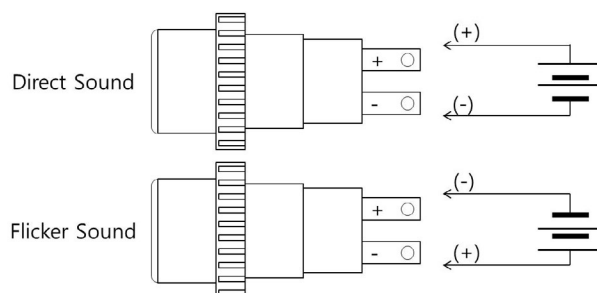
KH - 40 22 - D

Diameter	22	∅22
	25	∅25
	30	∅30
Sound	D	Direct
	F	Flicker
	none	Dual

### Specification

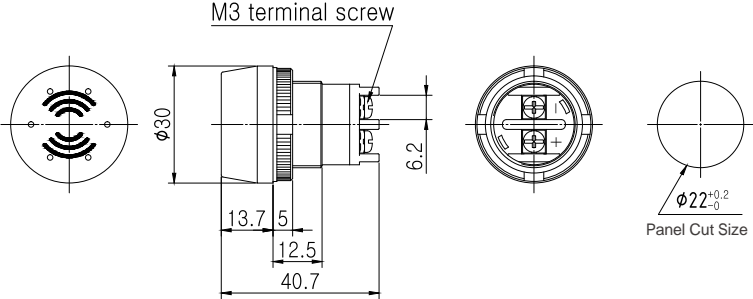
Input Voltage	12~24VDC(± 10%)
Current consumption	Max. 25mA
dB	min. 65dB (distance 1m)
Insulation resistance	100M (500VDC)
Dielectric strength	1,000 VAC between live part and dead part
Vibration resistance	10~55Hz double amplitude 0.5mm at X, Y, and Z axis for 1 hour
Shock resistance	20G
Protection	IP40
Ambient operating Temperature	- 10 ~+55
Ambient temperature(stock)	- 25 ~+70
Ambient humidity	45~85%RH
Material	Buzzer part: Nylon, Body: PC
Weight	10g

### Wiring Diagram for dual type

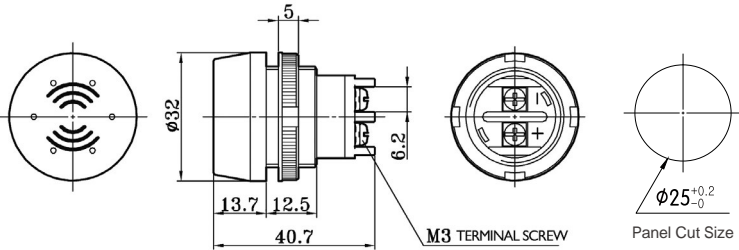


## Dimension

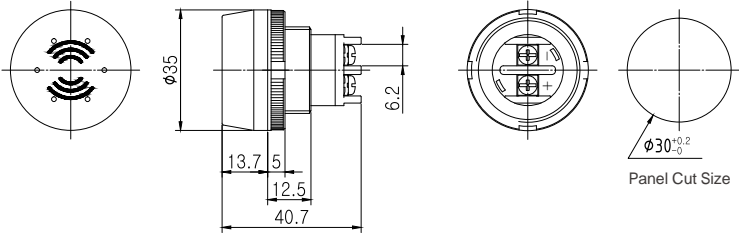
KH-4022D



KH-4025



KH-4030D



SQUARE LIGHT

TOWER LIGHT

BUZZER

TIMER & COUNTER

RELAY

SOCKETS

TERMINAL BLOCKS

CONTROL BOX

## KH-401 Series

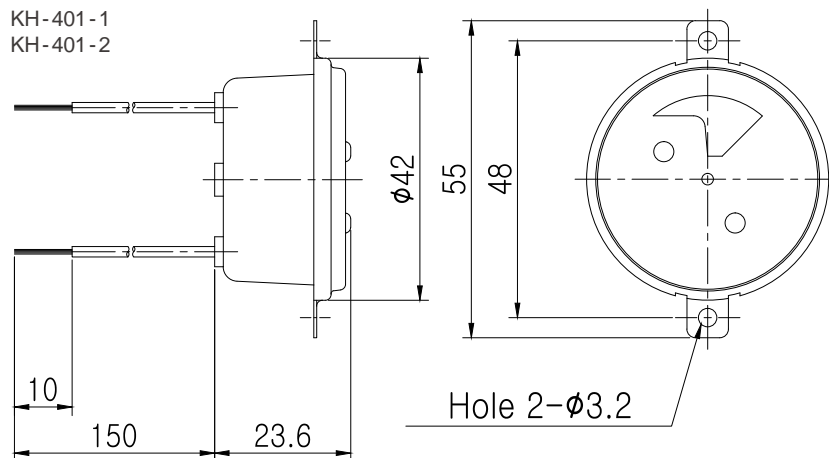


Built-in buzzer for machines

### CLASSIFICATION

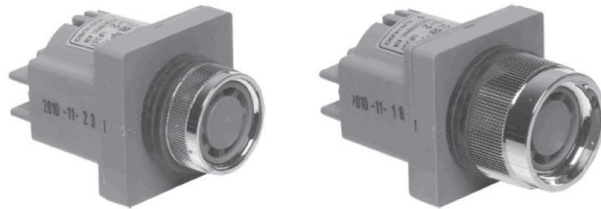
Model	Input voltage	Power consumption	dB	Diameter	Material	Weight
KH-401-1	110VAC	4VA	65dB	Ø42	Carbon tool steel	49g
KH-401-2	220VAC	4VA	65dB	Ø42		

### Dimension





## KH-402, KH-4025 Series



### CLASSIFICATION

KH - 40 25 - 1

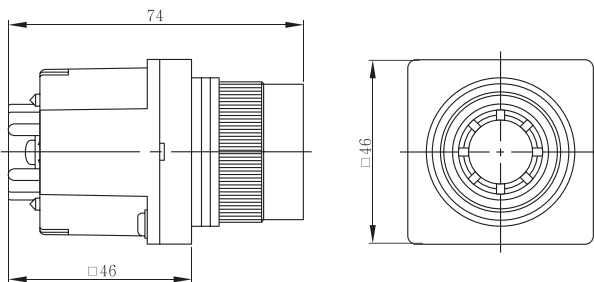
Diameter	2	Ø30
	25	Ø25
Inputvoltage	1	110VAC
	2	220VAC

### Specification

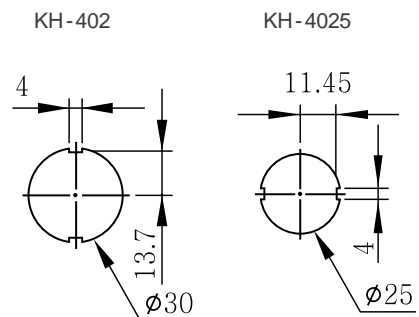
Power Consumption	4VA
dB	min. 65dB(distance 1m)
Insulation resistance	100M (500VDC)
Dielectric strength	1,000VAC 50/60Hz for 1 min. between live part and dead part
Ambient temperature	- 10 ~+55
Ambient humidity	45~85%RH
Material	Body: ABS, Ring: chrome plated ABS
Weight	98g

### Dimension

KH-402, KH-4025



### Panel cut



## KH-403 Series



### CLASSIFICATION

KH - 403 C F - 12

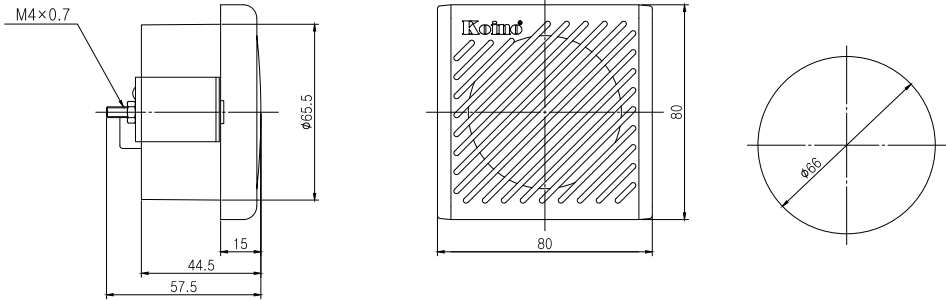
Mounting	none	Flush mounting
	C	Surface mounting
Sound	none	Direct (AC)
	D	Direct (AC/DC)
	F	Flicker (AC/DC)
Input voltage	1	110VAC
	2	220VAC
	12	AC/DC 12V
	24	AC/DC 24V
	48	AC/DC 48V

### Specification

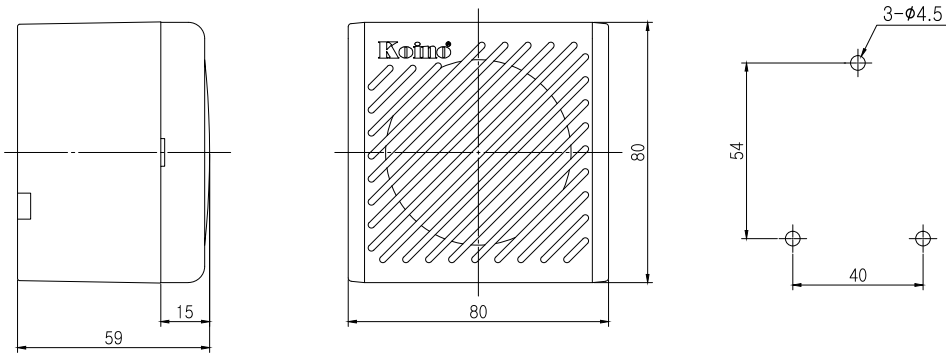
Model	KH - 403 - 1	KH - 403 - 2	KH - 403D - 12,24,48	KH - 403F - 12,24,48
	KH - 403C - 1	KH - 403C - 2	KH - 403CD - 12,24,48	KH - 403CF - 12,24,48
Input voltage	110VAC	220VAC	AC/DC 12, 24, 48V	AC/DC 12, 24, 48V
Power consumption	8VA		AC12V: 2.7VA, DC12V: 200mA	AC24V: 6.3VA, DC24V: 240mA
			AC48V: 9.6VA, DC48V: 185mA	
dB	minimum 85dB (distance 1m)			
Dielectric strength	1,000VAC 50/60Hz for 1 min. between live part and dead part			
Ambient temperature	- 10 ~+55			
Ambient humidity	45~85%RH			
Material	Body: ABS, front panel: ABS			
Weight	Flush mounting type:183g surface mounting type: 240g		Flush mounting type:159g surface mounting type: 224g	

## Dimension

KH-403



KH-403C



SQUARE LIGHT

TOWER LIGHT

BUZZER

TIMER & COUNTER

RELAY

SOCKETS

TERMINAL BLOCKS

CONTROL BOX



## KH-4065 Series



### Selection Guide

Diameter for Installation	Rated Voltage	Model Number
65	110/220 VAC	KH - 4065A
	12/24 VDC	KH - 4065D

### Specification

	KH-4065A	KH-4065D
Power consumption	5W	
Max. Output	1W	
Sound Pressure	105 dB Max.(1.M)	
Ambient Temp.	- 20~ +60 (not freezing condition)	
Ambient Humidity	45~85% RH	
Protection	IP54	
Weight	185g	120g

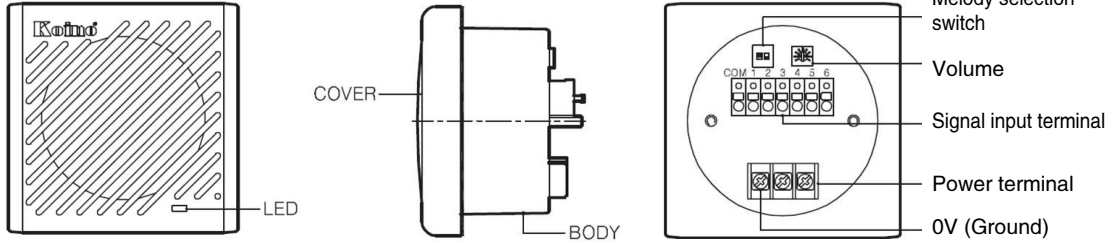
### Melody selection

NO.	Mode	Channel					
		1	2	3	4	5	6
1(M)		Minuet	Canon	Voice of Spring	Type writer	Magic Flute	Tambourin
2(M)		Type writer	Magic Flute	Tambourin	La Campanella	Home sweet home	Swan lake
3(S)		Ambulance	Ring tone	Ding - dong	Ring - ding - dong	School bell	Door bell
4(SM)		School bell	Door bell	Home sweet home	Tambourin	Swan lake	Voice of Spring

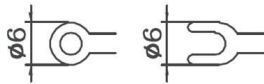
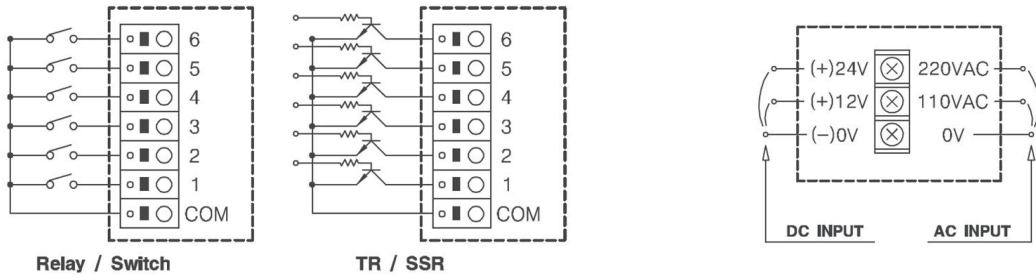


# SIGNAL PHONE

## Dimensions

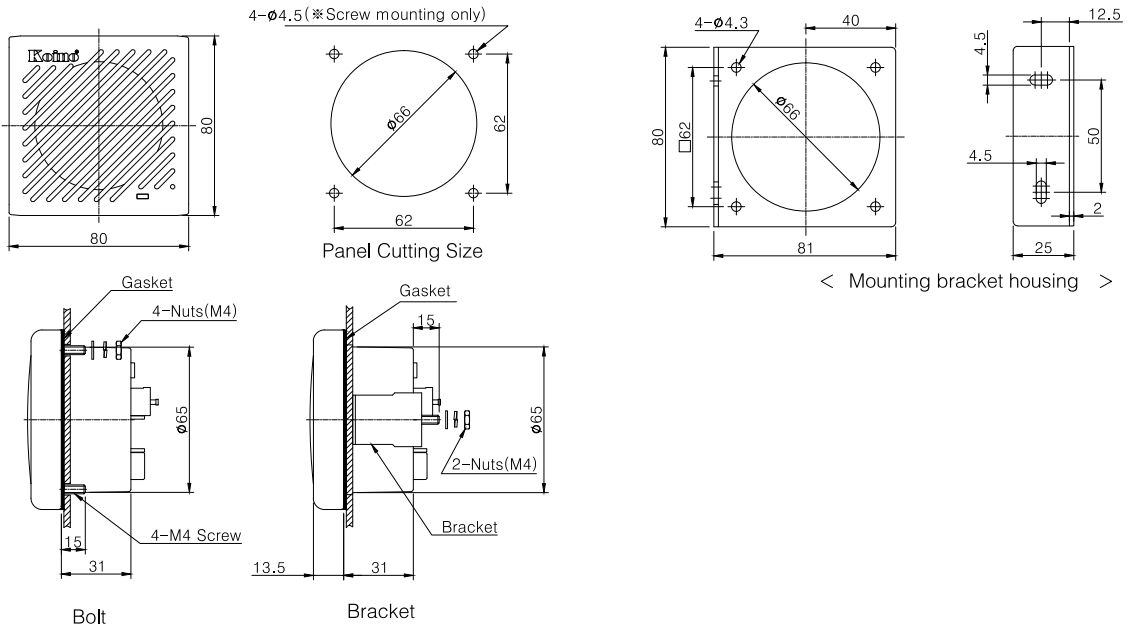


## Wiring Diagram



- Signal input wire: AWG 26~16, Str. 0.13~1.5mm<sup>2</sup>, Sol Ø0.12~Ø1.6
- Power input wire rug: M3 Screw, Max. Ø6mm

## Dimensions



SQUARE LIGHT

TOWER LIGHT

BUZZER

TIMER & COUNTER

RELAY

SOCKETS

TERMINAL BLOCK

CONTROL BOX

**KOINO** 