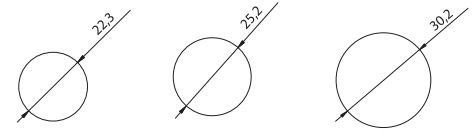


Aluminum Push button box

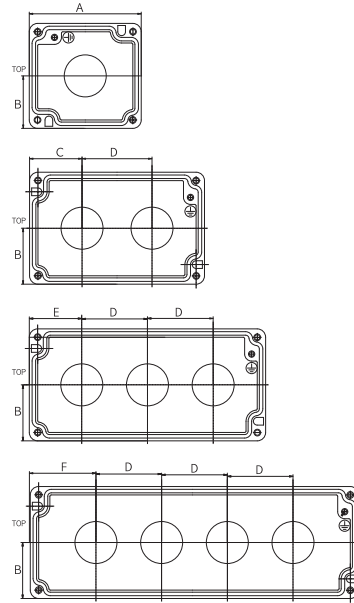
알루미늄 푸시버튼 박스 / 铸铝按钮盒



PUSH BUTTON HOLE



PUSH BUTTON HOLE SPACING



| Hole | Hole | A | B | C | D | E | F |
|-------------------|--------|----|------|----|----|----|----|
| BC-AL-08080□-□□01 | 1-Hole | 40 | 37.5 | - | - | - | - |
| BC-AL-08130□-□□02 | 2-Hole | - | 40 | 38 | 50 | - | - |
| BC-AL-08180□-□□03 | 3-Hole | - | 40 | - | 50 | 38 | - |
| BC-AL-08250□-□□04 | 4-Hole | - | 40 | - | 50 | - | 50 |

| Product model / 제품모델 / 产品型号 | | | | | | |
|-----------------------------|--------|-------------------|---------------------------|-----------------------------|--|--|
| φ | Hole | Model / 모델 / 型号 | Size(WxLxH/mm) / 사이즈 / 尺寸 | Size(WxLxH/inch) / 사이즈 / 尺寸 | | |
| 22 φ | 1 HOLE | BC-AL-080806-2201 | 80×75×57 | 3.14×2.95×2.24 | | |
| | | BC-AL-080807-2201 | 80×75×70 | 3.14×2.95×2.75 | | |
| | 2 HOLE | BC-AL-081306-2202 | 80×125×57 | 3.14×4.92×2.24 | | |
| | | BC-AL-081307-2202 | 80×125×70 | 3.14×4.92×2.75 | | |
| | 3 HOLE | BC-AL-081806-2203 | 80×175×57 | 3.14×6.88×2.24 | | |
| | | BC-AL-081807-2203 | 80×175×70 | 3.14×6.88×2.75 | | |
| | 4 HOLE | BC-AL-082506-2204 | 80×250×57 | 3.14×9.84×2.24 | | |
| | | BC-AL-082507-2204 | 80×250×70 | 3.14×9.84×2.75 | | |
| 25 φ | 1 HOLE | BC-AL-080806-2501 | 80×75×57 | 3.14×2.95×2.24 | | |
| | | BC-AL-080807-2501 | 80×75×70 | 3.14×2.95×2.75 | | |
| | 2 HOLE | BC-AL-081306-2502 | 80×125×57 | 3.14×4.92×2.24 | | |
| | | BC-AL-081307-2502 | 80×125×70 | 3.14×4.92×2.75 | | |
| | 3 HOLE | BC-AL-081806-2503 | 80×175×57 | 3.14×6.88×2.24 | | |
| | | BC-AL-081807-2503 | 80×175×70 | 3.14×6.88×2.75 | | |
| | 4 HOLE | BC-AL-082506-2504 | 80×250×57 | 3.14×9.84×2.24 | | |
| | | BC-AL-082507-2504 | 80×250×70 | 3.14×9.84×2.75 | | |
| 30 φ | 1 HOLE | BC-AL-080806-3001 | 80×75×57 | 3.14×2.95×2.24 | | |
| | | BC-AL-080807-3001 | 80×75×70 | 3.14×2.95×2.75 | | |
| | 2 HOLE | BC-AL-081306-3002 | 80×125×57 | 3.14×4.92×2.24 | | |
| | | BC-AL-081307-3002 | 80×125×70 | 3.14×4.92×2.75 | | |
| | 3 HOLE | BC-AL-081806-3003 | 80×175×57 | 3.14×6.88×2.24 | | |
| | | BC-AL-081807-3003 | 80×175×70 | 3.14×6.88×2.75 | | |
| | 4 HOLE | BC-AL-082506-3004 | 80×250×57 | 3.14×9.84×2.24 | | |
| | | BC-AL-082507-3004 | 80×250×70 | 3.14×9.84×2.75 | | |